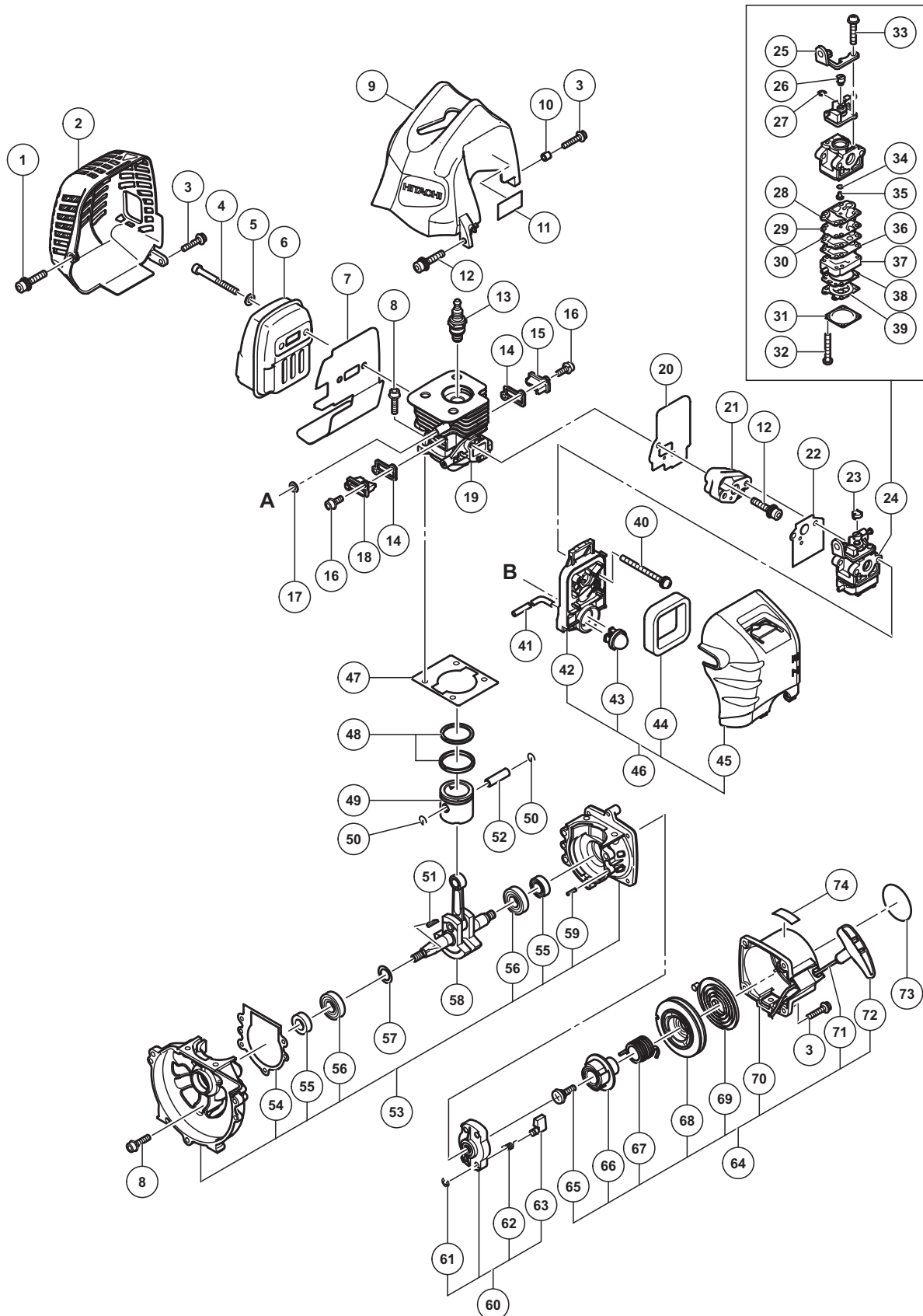
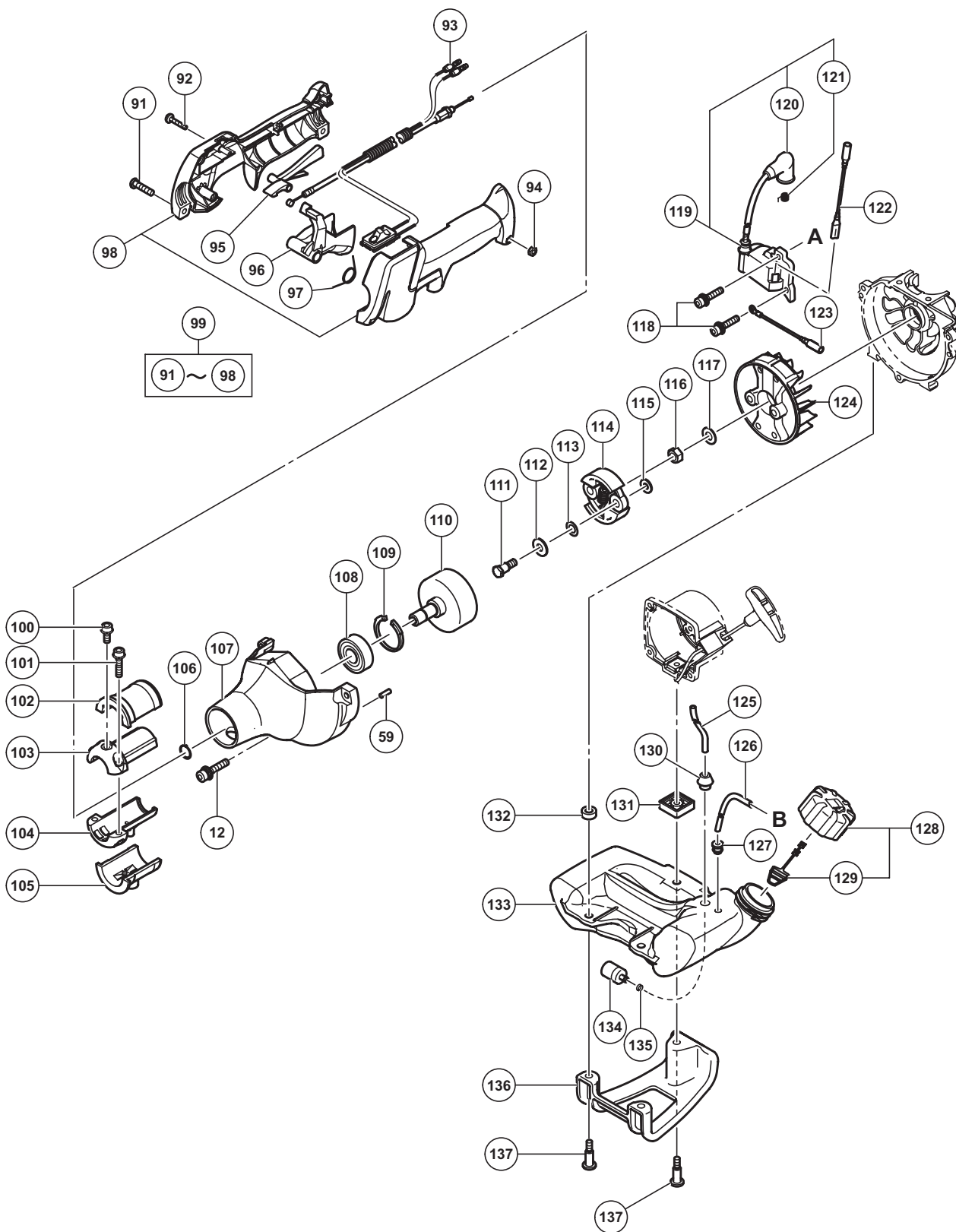


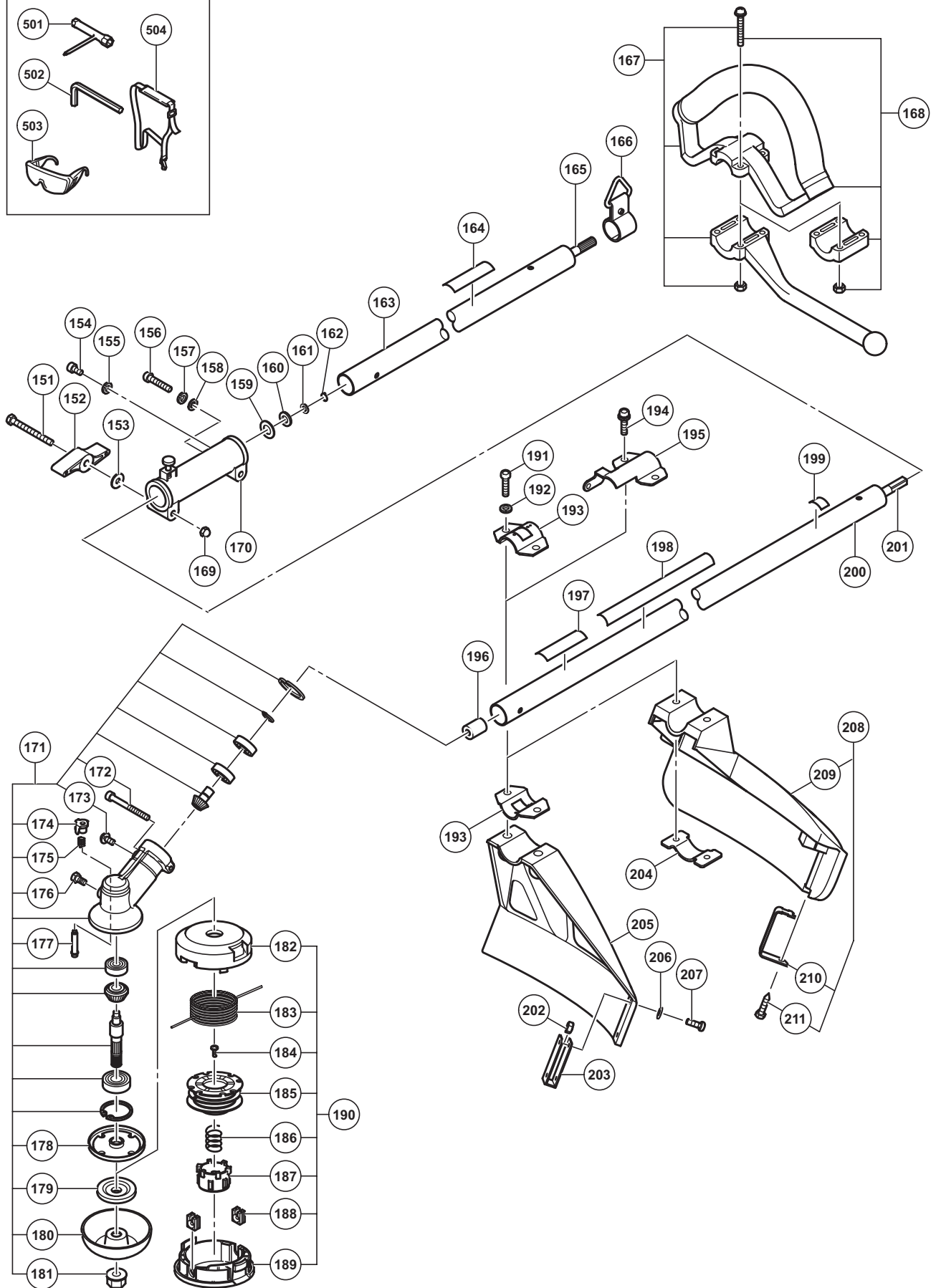
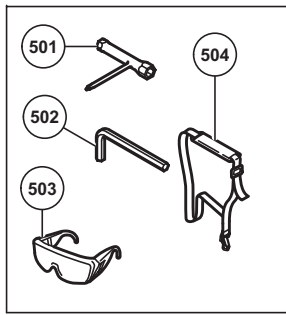
## ENGINE TOOL PARTS LIST

### ENGINE BRUSH CUTTER Model CG 24EBD

2014 · 4 · 25  
(E1)







**PARTS**

CG 24EBD

| ITEM NO. | CODE NO. | DESCRIPTION                                       | NO. USED | REMARKS      |
|----------|----------|---|----------|--------------|
| 1        | 6698950  | SEAL LOCK HEX. SOCKET HD. BOLT M5 X 30            | 1        |              |
| 2        | 6698478  | MUFFLER COVER                                     | 1        |              |
| 3        | 6696326  | HEX. SOCKET HD. BOLT (W/FLANGE) M4 X 18           | 4        |              |
| 4        | 6696819  | HEX. SOCKET HD. BOLT M6 X 55                      | 2        |              |
| 5        | 949432   | BOLT WASHER M6 (10 PCS.)                          | 2        |              |
| 6        | 6698477  | MUFFLER   | 1        |              |
| 7        | 6600320  | HEAT PROTECTION PANEL                             | 1        |              |
| 8        | 6698386  | HEX. SOCKET HD. BOLT (W/SP.WASHER) M5 X 18        | 8        |              |
| 9        | 6699454  | CYLINDER COVER                                    | 1        |              |
| 10       | 6600008  | COLLAR (B)  | 2        |              |
| *        | 11       | RCM+EAC MARK                                      | 1        | FOR AUS,NZL  |
|          | 12       | 6698844 SEAL LOCK HEX. SOCKET BOLT (W/WASHERS) M5 | 4        |              |
| *        | 13       | 6699322 SPARK PLUG ASS'Y CJ6                      | 1        |              |
| *        | 13       | 6699316 SPARK PLUG ASS'Y BMR7A                    | 1        | FOR AUS,NZL  |
|          | 14       | 6698468 COVER PACKING                             | 2        |              |
|          | 15       | 6698469 SCAVENGING COVER (A)                      | 1        |              |
|          | 16       | 6698385 HEX. SOCKET HD. BOLT M4 X 12              | 4        |              |
|          | 17       | 6698700 GLASS WASHER                              | 2        |              |
|          | 18       | 6698470 SCAVENGING COVER (B)                      | 1        |              |
|          | 19       | 6698465 CYLINDER                                  | 1        |              |
|          | 20       | 6699437 INTAKE PACKING                            | 1        |              |
|          | 21       | 6698387 CARBURETOR INSULATOR                      | 1        |              |
|          | 22       | 6698405 CARBURETOR PACKING                        | 1        |              |
|          | 23       | 6691337 SWIVEL CAP                                | 1        |              |
|          | 24       | 6600321 CARBURETOR ASS'Y WYC-36                   | 1        | INCLUD.25-39 |
|          | 25       | 6699287 CABLE ADJUST STAY                         | 1        |              |
|          | 26       | 6696830 SWIVEL                                    | 1        |              |
|          | 27       | 6684696 STOP RING                                 | 1        |              |
|          | 28       | 6684692 PUMP GASKET                               | 1        |              |
|          | 29       | 6684693 PUMP DIAPHRAGM                            | 1        |              |
|          | 30       | 6691242 PUMP PLATE                                | 1        |              |
|          | 31       | 6685222 DIAPHRAGM COVER-METERING                  | 1        |              |
|          | 32       | 6691312 SET SCREW                                 | 4        |              |
|          | 33       | 6696829 SET SCREW M3 X 12                         | 2        |              |
|          | 34       | 6684695 O-RING                                    | 1        |              |
|          | 35       | MAIN JET  | 1        |              |
|          | 36       | 6691234 CIRCUIT PLATE                             | 1        |              |
|          | 37       | 6696828 PUMP BODY COMP.                           | 1        |              |
|          | 38       | 6685220 DIAPHRAGM PACKING-METERING                | 1        |              |
|          | 39       | 6684690 METERING DIAPHRAGM                        | 1        |              |
|          | 40       | 307224 MACHINE SCREW (W/WASHERS) M5 X 60 (BLACK)  | 2        |              |
|          | 41       | 6699014 FUEL PIPE L70                             | 1        |              |
|          | 42       | 6696832 AIR CLEANER HOUSING                       | 1        |              |
|          | 43       | 6685139 PRIMING PUMP COMP.                        | 1        |              |
|          | 44       | 6690347 CLEANER ELEMENT                           | 1        |              |
|          | 45       | 6699185 CLEANER COVER                             | 1        |              |
|          | 46       | 6699132 AIR CLEANER (A) ASS'Y                     | 1        | INCLUD.42-45 |
|          | 47       | 6684587 CYLINDER GASKET                           | 1        |              |
|          | 48       | 6698404 PISTON RING                               | 2        |              |
|          | 49       | 6699456 PISTON                                    | 1        |              |

**PARTS**

CG 24EBD

| ITEM NO. | CODE NO. | DESCRIPTION                                | NO. USED | REMARKS         |
|----------|----------|--|----------|-----------------|
| 50       | 6684590  | CIR CLIP                                   | 2        |                 |
| 51       | 6684899  | WOODRUFF KEY 3 X 13 X 4.5                  | 1        |                 |
| 52       | 6684591  | PISTON PIN                                 | 1        |                 |
| 53       | 6684606  | CRANK CASE ASS'Y                           | 1        | INCLUD.54-56,59 |
| 54       | 6684609  | CRANK CASE GASKET                          | 1        |                 |
| 55       | 6684607  | OIL SEAL TB 12227                          | 2        |                 |
| 56       | 6684608  | BALL BEARING 6001 C3                       | 2        |                 |
| * 57     | 6696946  | SHIM T0.2                                  | 1        |                 |
| * 57     | 6696945  | SHIM T0.3                                  | 1        |                 |
| 58       | 6696533  | CRANK SHAFT COMP.                          | 1        |                 |
| 59       | 6696947  | KNOCK PIN 4 X 12                           | 4        |                 |
| 60       | 6684681  | STARTER PULLEY ASS'Y                       | 1        | INCLUD.61-63    |
| 61       | 6684683  | STOP RING E-5                              | 2        |                 |
| 62       | 6684684  | STARTER PAWL SPRING                        | 2        |                 |
| 63       | 6684685  | STARTER PAWL                               | 2        |                 |
| 64       | 6699995  | RECOIL STARTER BODY ASS'Y                  | 1        | INCLUD.65-72    |
| 65       | 6684679  | SET SCREW                                  | 1        |                 |
| 66       | 6699996  | CAM PLATE                                  | 1        |                 |
| 67       | 6684677  | DAMPER SPRING                              | 1        |                 |
| 68       | 6699997  | STARTER ROPE REEL                          | 1        |                 |
| 69       | 6684675  | RECOIL SPRING                              | 1        |                 |
| 70       | 6684673  | RECOIL STARTER BODY COMP.                  | 1        |                 |
| 71       | 6684674  | STARTER ROPE 3.5 X 860                     | 1        |                 |
| 72       | 6684680  | STARTER HANDLE                             | 1        |                 |
| 73       |          | NAME PLATE                                 | 1        |                 |
| * 74     | 6698922  | TANK MARK LABEL (25:1)                     | 1        |                 |
| * 74     | 6698921  | TANK MARK LABEL (50:1)                     | 1        | FOR AUS,NZL     |
| 91       | 6699195  | MACHINE SCREW M5 X 20 (BLACK)              | 2        |                 |
| 92       | 6699194  | P TIGHT SCREW D4 X 20 (BLACK)              | 4        |                 |
| 93       | 6699197  | SWITCH WIRE SET                            | 1        |                 |
| 94       | 6699196  | NUT M5                                     | 2        |                 |
| 95       | 6699192  | STOP LEVER                                 | 1        |                 |
| 96       | 6699191  | LONG LEVER                                 | 1        |                 |
| 97       | 6699193  | RETURN SPRING                              | 1        |                 |
| 98       | 6699190  | STAY SET                                   | 1        |                 |
| 99       | 6699133  | THROTTLE LEVER (A) ASS'Y                   | 1        | INCLUD.91-98    |
| 100      | 6699176  | HEX. SOCKET HD. BOLT (W/SP.WASHER) M5 X 12 | 1        |                 |
| 101      | 6695492  | HEX. HOLE BOLT 5 X 22/S                    | 2        |                 |
| 102      | 6696963  | ANTI VIBE RUBBER (A)                       | 1        |                 |
| 103      | 6698643  | PIPE HOLDER (A)                            | 1        |                 |
| 104      | 6698644  | PIPE HOLDER (B)                            | 1        |                 |
| 105      | 6696964  | ANTI VIBE RUBBER (B)                       | 1        |                 |
| 106      | 939542   | RETAINING RING FOR D12 SHAFT (10 PCS.)     | 1        |                 |
| 107      | 6699457  | FAN CASE (A)                               | 1        |                 |
| 108      | 6699435  | BALL BEARING 6301ZZC3                      | 1        |                 |
| 109      | 322813   | RETAINING RING 37MM                        | 1        |                 |
| 110      | 6699434  | CLUTCH SHAFT                               | 1        |                 |
| 111      | 6696469  | STEP BOLT                                  | 2        |                 |
| 112      | 6684648  | BENT WASHER 8                              | 2        |                 |
| 113      | 6696546  | CLUTCH PLATE (A)                           | 2        |                 |

**PARTS**

CG 24EBD

| ITEM NO. | CODE NO. | DESCRIPTION                              | NO. USED | REMARKS                 |
|----------|----------|--|----------|-------------------------|
| 114      | 6699130  | CLUTCH                                   | 1        |                         |
| 115      | 6699131  | CLUTCH WASHER (B)                        | 2        |                         |
| 116      | 6685337  | FLYWHEEL NUT                             | 1        |                         |
| 117      | 323212   | BOLT WASHER M8 (BLACK)                   | 1        |                         |
| 118      | 6698388  | HEX. SOCKET HD. BOLT (W/WASHERS) M4 X 18 | 2        |                         |
| 119      | 6699458  | IGNITION COIL ASS'Y                      | 1        | INCLUD.120,121          |
| 120      | 6699932  | PLUG CAP                                 | 1        |                         |
| 121      | 6699933  | METAL FITTING OF PLUG CAP                | 1        |                         |
| 122      | 6696544  | CORD                                     | 1        |                         |
| 123      | 6696545  | EARTH CORD                               | 1        |                         |
| 124      | 6699289  | MAGNETO ROTOR ASS'Y                      | 1        |                         |
| 125      | 6698716  | FUEL PIPE                                | 1        |                         |
| 126      | 6698401  | FUEL PIPE (PINK)                         | 1        |                         |
| 127      | 6697846  | RETURN GROMMET                           | 1        |                         |
| 128      | 6698402  | FUEL TANK CAP ASS'Y                      | 1        | INCLUD.129              |
| 129      | 6698732  | TANK CAP CHAIN                           | 1        |                         |
| 130      | 6698931  | FUEL GROMMET                             | 1        |                         |
| 131      | 6699558  | SPACER                                   | 1        |                         |
| 132      | 6699459  | SPACER (B)                               | 2        |                         |
| 133      | 6600317  | TANK (B)                                 | 1        |                         |
| 134      | 6684620  | PUMP FILTER BODY COMP.                   | 1        |                         |
| 135      | 6696949  | CLIP                                     | 1        |                         |
| 136      | 6694787  | STAND                                    | 1        |                         |
| 137      | 6698991  | BOLT (W/FLANGE) L27.8                    | 3        |                         |
| 151      | 6684824  | HEX. BOLT 6 X 50                         | 1        |                         |
| 152      | 6684823  | HANDLE KNOB                              | 1        |                         |
| 153      | 6684822  | SPECIAL WASHER B                         | 1        |                         |
| 154      | 6684829  | HEX. SOCKET HD. BOLT M5 X 12             | 1        |                         |
| 155      | 6698884  | SPRING WASHER M5                         | 1        |                         |
| 156      | 6684825  | HEX. SOCKET HD. BOLT (W/BUTTON) M6       | 1        |                         |
| 157      | 949455   | SPRING WASHER M6 (10 PCS.)               | 1        |                         |
| 158      | 949425   | WASHER M6 (10 PCS.)                      | 1        |                         |
| 159      | 6689139  | SPACER 1.6                               | 1        |                         |
| 160      | 6684819  | SPACER                                   | 1        |                         |
| 161      | 6684820  | PULLEY WASHER                            | 1        |                         |
| 162      | 939540   | RETAINING RING FOR D10 SHAFT (10 PCS.)   | 1        |                         |
| 163      | 6699460  | MAIN PIPE (A)                            | 1        |                         |
| * 164    | 6684852  | LEVEL MARK                               | 1        | FOR AUS,NZL             |
| 165      | 6699462  | DRIVE SHAFT (A)                          | 1        |                         |
| 166      | 6696493  | HANGER                                   | 1        |                         |
| * 167    | 6699448  | LOOP HANDLE (W/BARRIER)                  | 1        | FOR AUS,NZL             |
| * 168    | 6699449  | LOOP HANDLE                              | 1        | FOR ISR                 |
| 169      | 6684828  | CAP NUT 6                                | 1        |                         |
| 170      | 6684817  | JOINT CASE                               | 1        |                         |
| * 171    | 6699439  | GEAR CASE ASS'Y (4BB)                    | 1        | INCLUD.172-181 FOR (SL) |
| * 172    | 949664   | HEX. SOCKET HD. BOLT M5 X 30 (10 PCS.)   | 1        | FOR (SL)                |
| * 173    | 6695414  | SCREW 5 X 12/W.S                         | 1        | FOR (SL)                |
| * 174    | 6600005  | CAP                                      | 1        | FOR (SL)                |
| * 175    | 6600006  | SPRING                                   | 1        | FOR (SL)                |
| * 176    | 6684737  | BOLT (W/PLUS) M6 X 8                     | 1        | FOR (SL)                |

**PARTS**

CG 24EBD

| ITEM NO. | CODE NO. | DESCRIPTION | NO. USED                                | REMARKS                                |
|----------|----------|-------------|---|--|
| *        | 177      | 6600007     | LOCK PIN                                | 1 FOR (SL)                             |
| *        | 178      | 6699441     | CUTTER HOLDER (A)                       | 1 FOR (SL)                             |
| *        | 179      | 6698659     | CUTTER HOLDER (B)                       | 1 FOR (SL)                             |
| *        | 180      | 6699188     | NUT COVER                               | 1 FOR (SL)                             |
| *        | 181      | 335759      | U-NUT (LEFT HAND) M10                   | 1 FOR (SL)                             |
| *        | 182      | 6698794     | COVER                                   | 1 FOR (SL)                             |
| *        | 183      |             | NYLON CORD                              | 1 FOR (SL)                             |
| *        | 184      | 6698795     | SET SCREW                               | 1 FOR (SL)                             |
| *        | 185      | 6698796     | REEL                                    | 1 FOR (SL)                             |
| *        | 186      | 6698797     | RETURN SPRING                           | 1 FOR (SL)                             |
| *        | 187      | 6698798     | BUTTON                                  | 1 FOR (SL)                             |
| *        | 188      | 6698799     | CORD GUIDE                              | 2 FOR (SL)                             |
| *        | 189      | 6698800     | CASE                                    | 1 FOR (SL)                             |
| *        | 190      | 6696454     | NYLON HEAD ASS'Y                        | 1 INCLUD.182-189 FOR (SL)              |
| *        | 191      | 6685064     | HEX. SOCKET HD. BOLT (W/BUTTON) M6 X 20 | 2 FOR ISR (SL)                         |
| *        | 192      | 949455      | SPRING WASHER M6 (10 PCS.)              | 2 FOR ISR (SL)                         |
| *        | 193      | 6696978     | COVER BRACKET                           | 2 FOR ISR (SL)                         |
| *        | 194      | 6684714     | HEX. HOLE BUTTON SCREW 6 X 25S          | 2 FOR AUS (SL),NZL (SL)                |
| *        | 195      | 6699444     | COVER BRACKET                           | 1 FOR AUS (SL),NZL (SL)                |
| *        | 196      | 6684833     | BUSHING                                 | 1 FOR (SL)                             |
| *        | 197      | 6685061     | LEVEL MARK                              | 1 FOR ISR (SL)                         |
| *        | 198      | 6697625     | CAUTION MARK HITACHI                    | 1 FOR (SL)                             |
| *        | 199      | 6684851     | LEVEL MARK                              | 1 FOR (SL)                             |
| *        | 200      | 6699461     | MAIN PIPE (A)                           | 1 FOR (SL)                             |
| *        | 201      | 6684832     | DRIVE SHAFT B 783L                      | 1 FOR (SL)                             |
| *        | 202      | 949554      | NUT M4 (10 PCS.)                        | 2 FOR ISR (SL)                         |
| *        | 203      | 6696584     | KNIFE                                   | 1 FOR ISR (SL)                         |
| *        | 204      | 6698813     | COVER HOLDER                            | 1 FOR AUS (SL),NZL (SL)                |
| *        | 205      | 6696981     | GUARD                                   | 1 FOR ISR (SL)                         |
| *        | 206      | 323210      | BOLT WASHER M4 (BLACK)                  | 2 FOR ISR (SL)                         |
| *        | 207      | 6685068     | MACHINE SCREW (W/SP. WASHER) M4 X 12    | 2 FOR ISR (SL)                         |
| *        | 208      | 6697880     | COVER ASS'Y                             | 1 INCLUD.209-211 FOR AUS (SL),NZL (SL) |
| *        | 209      | 6690272     | GUARD 24 DIA.                           | 1 FOR AUS (SL),NZL (SL)                |
| *        | 210      | 6693388     | KNIFE                                   | 1 FOR AUS (SL),NZL (SL)                |
| *        | 211      | 6684753     | TAPPING SCREW 5 X 20                    | 1 FOR AUS (SL),NZL (SL)                |
|          |          |             |   |  |
|          |          |             |   |  |
|          |          |             |   |  |
|          |          |             |   |  |
|          |          |             |   |  |
|          |          |             |   |  |
|          |          |             |   |  |
|          |          |             |   |  |
|          |          |             |   |  |
|          |          |             |   |  |
|          |          |             |   |  |
|          |          |             |   |  |
|          |          |             |   |  |
|          |          |             |   |  |
|          |          |             |   |  |
|          |          |             |   |  |
|          |          |             |   |  |
|          |          |             |   |  |
|          |          |             |   |  |
|          |          |             |   |  |
|          |          |             |   |  |
|          |          |             |   |  |
|          |          |             |   |  |
|          |          |             |   |  |
|          |          |             |   |  |
|          |          |             |   |  |
|          |          |             |   |  |
|          |          |             |   |  |
|          |          |             |   |  |
|          |          |             |   |  |
|          |          |             |   |  |

