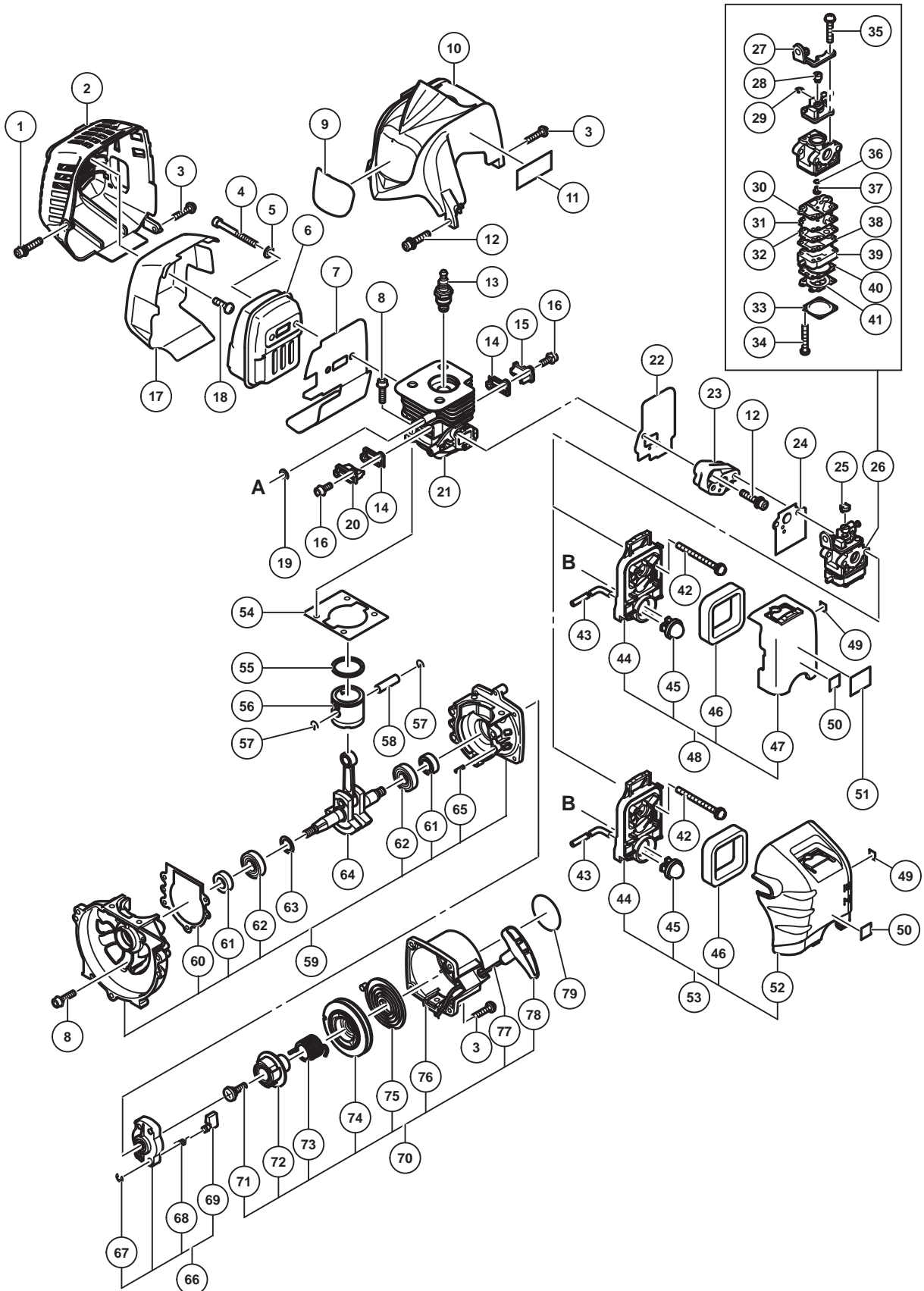
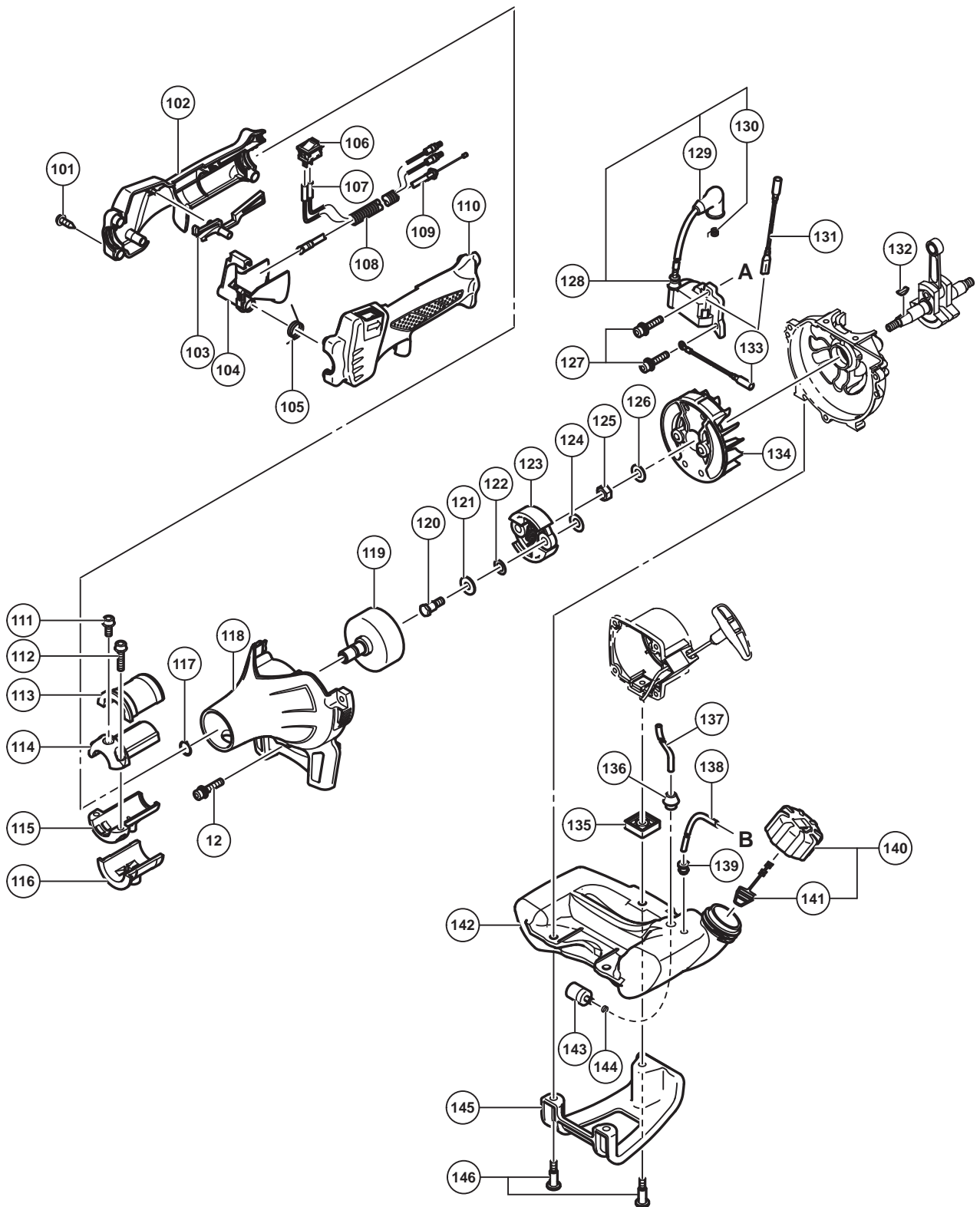


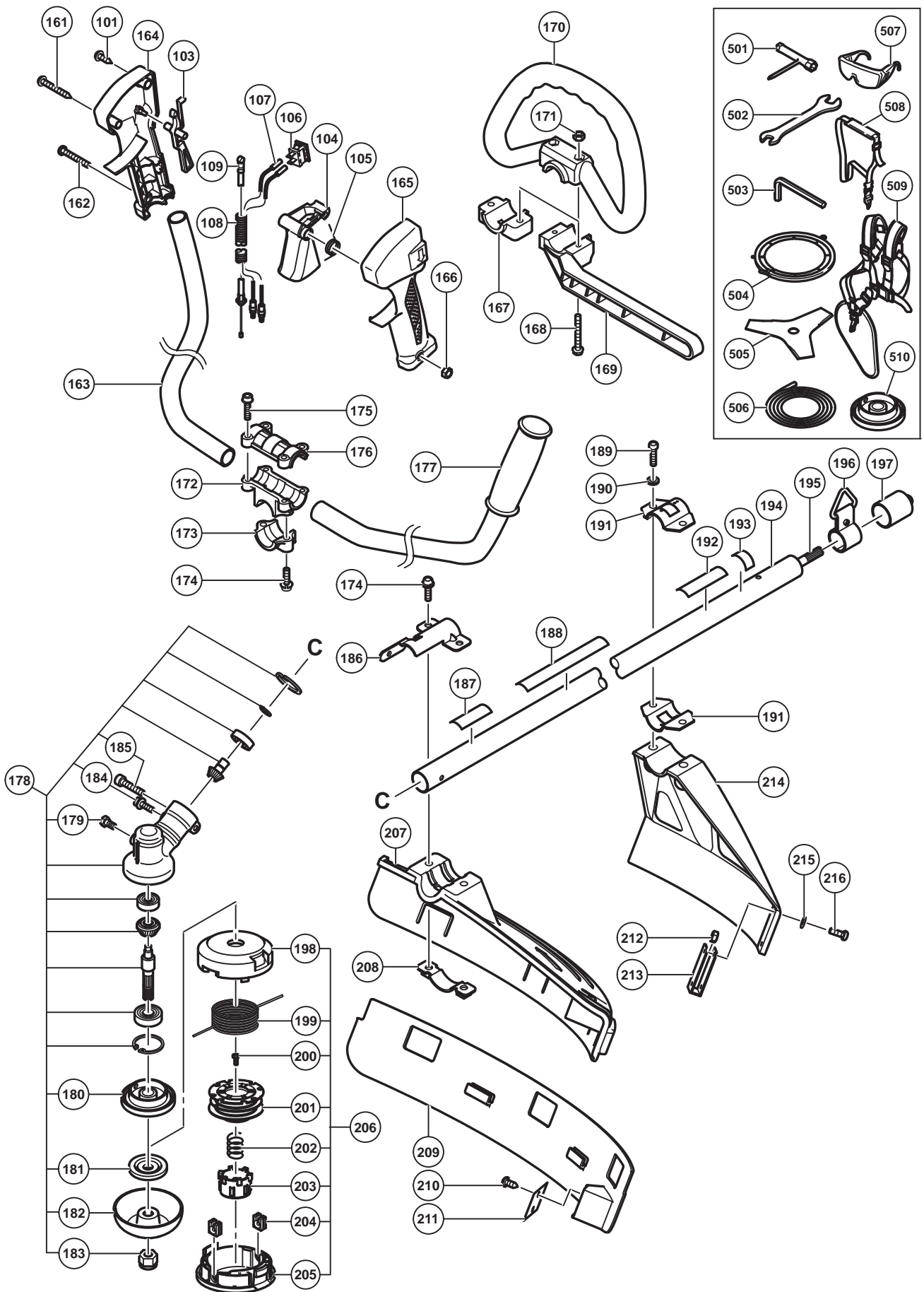
ENGINE TOOL PARTS LIST

ENGINE GRASS TRIMMER Model CG 24EAP2

2015-3-25
(E1)







PARTS

CG 24EAP2

ITEM NO.	CODE NO.	DESCRIPTION	NO. USED	REMARKS
1	6698950	SEAL LOCK HEX. SOCKET HD. BOLT M5 X 30	1	
2	6600319	MUFFLER COVER	1	
3	307606	MACHINE SCREW (W/WASHERS) M4 X 20 (BLACK)	4	
4	6698384	HEX. SOCKET HD. BOLT M6 X 65	2	
5	949432	BOLT WASHER M6 (10 PCS.)	2	
6	6600004	MUFFLER (B)	1	
7	6600320	HEAT PROTECTION PANEL	1	
8	6698386	HEX. SOCKET HD. BOLT (W/SP.WASHER) M5 X 18	8	
9		HITACHI LABEL	1	
* 10	6699128	CYLINDER COVER	1	
* 10	6699162	CYLINDER COVER	1	FOR USA
11		CAUTION LABEL	1	
12	6698844	SEAL LOCK HEX. SOCKET BOLT (W/WASHERS) M5	4	
* 13	6699316	SPARK PLUG ASS'Y BMR7A	1	
* 13	6699322	SPARK PLUG ASS'Y CJ6	1	FOR USA
14	6698468	COVER PACKING	2	
15	6698469	SCAVENGING COVER (A)	1	
16	6698385	HEX. SOCKET HD. BOLT M4 X 12	4	
17	6600422	MUFFLER HEAT COVER	1	
18	6600325	TAPPING SCREW D4 X 10	2	
19	6698700	GLASS WASHER	2	
20	6698470	SCAVENGING COVER (B)	1	
21	6698465	CYLINDER	1	
22	6699437	INTAKE PACKING	1	
23	6698387	CARBURETOR INSULATOR	1	
24	6698405	CARBURETOR PACKING	1	
25	6691337	SWIVEL CAP	1	
26	6698474	CARBURETOR ASS'Y WYC-28	1	INCLUD.27-41
27	6699287	CABLE ADJUST STAY	1	
28	6696830	SWIVEL	1	
29	6684696	STOP RING	1	
30	6684692	PUMP GASKET	1	
31	6684693	PUMP DIAPHRAGM	1	
32	6691242	PUMP PLATE	1	
33	6685222	DIAPHRAGM COVER-METERING	1	
34	6691312	SET SCREW	4	
35	6696829	SET SCREW M3 X 12	2	
36	6684695	O-RING	1	
37	6697842	MAIN JET #32.5	1	
38	6691234	CIRCUIT PLATE	1	
39	6696828	PUMP BODY COMP.	1	
40	6685220	DIAPHRAGM PACKING-METERING	1	
41	6684690	METERING DIAPHRAGM	1	
42	307224	MACHINE SCREW (W/WASHERS) M5 X 60 (BLACK)	2	
43	6699014	FUEL PIPE L70	1	
44	6696832	AIR CLEANER HOUSING	1	
45	6685139	PRIMING PUMP COMP.	1	
46	6690347	CLEANER ELEMENT	1	
* 47	6696831	AIR CLEANER COVER	1	
* 48	6696549	AIR CLEANER ASS'Y	1	INCLUD.44-47

PARTS

CG 24EAP2

ITEM NO.	CODE NO.	DESCRIPTION	NO. USED	REMARKS
* 49	6600327	MARK PLATE (T)	1	EXCEPT FOR USA
* 50	6699000	PRIMER LABEL	1	EXCEPT FOR USA
* 51		START LABEL (A)	1	FOR USA
* 52	6699185	CLEANER COVER	1	FOR HORNBACK
* 53	6699132	AIR CLEANER (A) ASS'Y	1	INCLUD.44-46,52 FOR HORNBACK
54	6684587	CYLINDER GASKET	1	
55	6698404	PISTON RING	1	
56	6698368	PISTON	1	
57	6684590	CIR CLIP	2	
58	6684591	PISTON PIN	1	
59	6684606	CRANK CASE ASS'Y	1	INCLUD.60-62,65
60	6684609	CRANK CASE GASKET	1	
61	6684607	OIL SEAL TB 12227	2	
62	6684608	BALL BEARING 6001 C3	2	
63	6696946	SHIM T0.2	1	
63	6696945	SHIM T0.3	1	
64	6696533	CRANK SHAFT COMP.	1	
65	6696947	KNOCK PIN 4 X 12	2	
66	6684681	STARTER PULLEY ASS'Y	1	INCLUD.67-69
67	6684683	STOP RING E-5	2	
68	6684684	STARTER PAWL SPRING	2	
69	6684685	STARTER PAWL	2	
70	6699995	RECOIL STARTER BODY ASS'Y	1	INCLUD.71-78
71	6684679	SET SCREW	1	
72	6699996	CAM PLATE	1	
73	6684677	DAMPER SPRING	1	
74	6699997	STARTER ROPE REEL	1	
75	6684675	RECOIL SPRING	1	
76	6684673	RECOIL STARTER BODY COMP.	1	
77	6684674	STARTER ROPE 3.5 X 860	1	
78	6684680	STARTER HANDLE	1	
79		NAME PLATE	1	
* 101	305812	TAPPING SCREW (W/FLANGE) D4 X 16 (BLACK)	4	
* 101	302086	TAPPING SCREW (W/FLANGE) D4 X 20 (BLACK)	1	FOR (S)
* 102	6696487	HANDLE (B)	1	FOR EUROPE (SL)
* 102	6696942	HANDLE (B)	1	FOR USA
* 103	6696490	LOCK LEVER	1	EXCEPT FOR USA
104	6696488	LEVER	1	
105	6696489	SPRING (A)	1	
106	6696940	STOP SWITCH	1	
* 107	6696491	STOP SWITCH CORD	2	
* 107	6696592	STOP SWITCH CORD	2	FOR (S)
* 108	6696967	PROTECTION TUBE	1	
* 108	6696594	PROTECTION TUBE	1	FOR (S)
* 109	6696560	THROTTLE WIRE COMP.	1	
* 109	6696593	THROTTLE WIRE COMP.	1	FOR (S)
* 110	6696486	HANDLE (A)	1	FOR EUROPE (SL)
* 110	6696941	HANDLE (A)	1	FOR USA
111	6699176	HEX. SOCKET HD. BOLT (W/SP.WASHER) M5 X 12	1	
112	6695492	HEX. HOLE BOLT 5 X 22/S	2	

PARTS

CG 24EAP2

ITEM NO.	CODE NO.	DESCRIPTION	NO. USED	REMARKS
113	6696963	ANTI VIBE RUBBER (A)	1	
114	6698643	PIPE HOLDER (A)	1	
115	6698644	PIPE HOLDER (B)	1	
116	6696964	ANTI VIBE RUBBER (B)	1	
117	939542	RETAINING RING FOR D12 SHAFT (10 PCS.)	1	
*	118	6699129	FAN CASE	1
*	118	6699164	FAN CASE	1 FOR USA
119	6699400	CLUTCH SHAFT	1	
120	6696469	STEP BOLT	2	
121	6684648	BENT WASHER 8	2	
122	6696546	CLUTCH PLATE (A)	2	
123	6696948	CLUTCH	1	
124	6696547	CLUTCH WASHER (B)	2	
125	6685337	FLYWHEEL NUT	1	
126	323212	BOLT WASHER M8 (BLACK)	1	
127	6698388	HEX. SOCKET HD. BOLT (W/WASHERS) M4 X 18	2	
128	6699464	IGNITION COIL ASS'Y	1	INCLUD.129,130
129	6699932	PLUG CAP	1	
130	6699186	PLUG CAP METAL	1	
131	6696544	CORD	1	
132	6684899	WOODRUFF KEY 3 X 13 X 4.5	1	
133	6696545	EARTH CORD	1	
134	6699289	MAGNETO ROTOR ASS'Y	1	
135	6699558	SPACER	1	
136	6698931	FUEL GROMMET	1	
*	137	6698716	FUEL PIPE	1
*	137	6698932	FUEL PIPE L180	1 FOR USA
138	6698401	FUEL PIPE (PINK)	1	
139	6697846	RETURN GROMMET	1	
140	6698402	FUEL TANK CAP ASS'Y	1	INCLUD.141
141	6698732	TANK CAP CHAIN	1	
*	142	6600317	TANK (B)	1
*	142	6699719	TANK	1 FOR USA
143	6600351	PUMP FILTER	1	
144	6696949	CLIP	1	
145	6694787	STAND	1	
146	6698991	BOLT (W/FLANGE) L27.8	3	
*	161	323837	TAPPING SCREW (W/FLANGE) D4 X 30	1 FOR (S)
*	162	323041	MACHINE SCREW M5 X 30 (BLACK)	1 FOR (S)
*	163	6698637	HANDLE RIGHT	1 FOR (S)
*	164	6696590	HANDLE (B)	1 FOR (S)
*	165	6696588	HANDLE (A)	1 FOR (S)
*	166	302012	NUT M5 (BLACK)	1 FOR (S)
*	167	6696972	HANDLE HOLDER (A)	1 FOR USA
*	168	6696974	BOLT (BLACK) M6	2 FOR USA,EUROPE (SL)
*	169	6696973	BARRIER	1 FOR EUROPE (SL)
*	170	6696975	LOOP HANDLE	1 FOR USA,EUROPE (SL)
*	171	949556	NUT M6 (10 PCS.)	2 FOR USA,EUROPE (SL)
*	172	6696577	HANDLE HOLDER (B)	1 FOR (S)
*	173	6696578	HANDLE HOLDER (C)	1 FOR (S)

PARTS

CG 24EAP2

ITEM NO.	CODE NO.	DESCRIPTION	NO. USED	REMARKS
*	174	6684714	HEX. HOLE BUTTON SCREW 6 X 25S	2 FOR EUROPE (SL)
*	174	6684714	HEX. HOLE BUTTON SCREW 6 X 25S	4 FOR (S)
*	175	6684709	HEX. HOLE BOLT M5 X 25/S	4 FOR (S)
*	176	6696576	HANDLE HOLDER (A)	1 FOR (S)
*	177	6698638	HANDLE (LEFT)	1 FOR (S)
*	178	6699402	GEAR CASE ASS'Y 3BB (A)	1 INCLUD.179-185
*	178	6696976	GEAR CASE ASS'Y 3BB (B) SET	1 INCLUD.179,184,185 FOR USA
	179	6684737	BOLT (W/PLUS) M6 X 8	1
*	180	6696977	CUTTER HOLDER (A)	1 EXCEPT FOR USA
*	181	6698659	CUTTER HOLDER (B)	1 EXCEPT FOR USA
*	182	6699188	NUT COVER	1 EXCEPT FOR USA
*	183	335759	U-NUT (LEFT HAND) M10	1 EXCEPT FOR USA
	184	6695414	SCREW 5 X 12/W.S	1
	185	949664	HEX. SOCKET HD. BOLT M5 X 30 (10 PCS.)	1
*	186	6696494	COVER BRACKET	1 EXCEPT FOR USA
*	187	6600328	CAUTION LABEL (HEDGE)	1
*	187	6685061	LEVEL MARK	1 FOR USA
*	188	6600450	CAUTION MARK HITACHI	1
*	188	6600447	CAUTION MARK (USA)	1 FOR USA,EUROPE (SL)
*	189	6685064	HEX. SOCKET HD. BOLT (W/BUTTON) M6 X 20	2 FOR USA
*	190	949455	SPRING WASHER M6 (10 PCS.)	2 FOR USA
*	191	6696978	COVER BRACKET	2 FOR USA
*	192	6600446	LEVEL MARK (B)	1 FOR USA,EUROPE (SL)
*	193	6684851	LEVEL MARK	1 EXCEPT FOR USA
*	194	6696558	MAIN PIPE COMP.	1
*	194	6699445	MAIN PIPE	1 FOR HORNBAACH
	195	6698514	DRIVE SHAFT	1
*	196	6696493	HANGER	1 EXCEPT FOR USA
*	197	6698515	CAP (A)	1 EXCEPT FOR USA
*	198	6698794	COVER	1
*	198	6698937	COVER	1 FOR USA
	199		NYLON CORD	1
	200	6698795	SET SCREW	1
*	201	6698796	REEL	1
*	201	6698939	REEL	1 FOR USA
*	202	6698797	RETURN SPRING	1
*	202	6698941	RETURN SPRING	1 FOR USA
*	203	6698798	BUTTON	1
*	203	6698940	BUTTON	1 FOR USA
*	204	6698799	CORD GUIDE	1
*	204	6698942	CORD GUIDE	1 FOR USA
*	205	6698800	CASE	1
*	205	6698938	CASE	1 FOR USA
*	206	6696454	NYLON HEAD ASS'Y	1 INCLUD.198-205
*	206	6698639	NYLON HEAD ASS'Y	1 INCLUD.198-205 FOR USA
*	207	6696980	COVER	1 EXCEPT FOR USA
*	208	6696951	GUARD HOLDER	1 EXCEPT FOR USA
*	209	6696950	COVER GUARD	1 EXCEPT FOR USA
*	210	6684751	TAPPING SCREW 4 X 14	1 EXCEPT FOR USA
*	211	6684750	KNIFE	1 EXCEPT FOR USA

