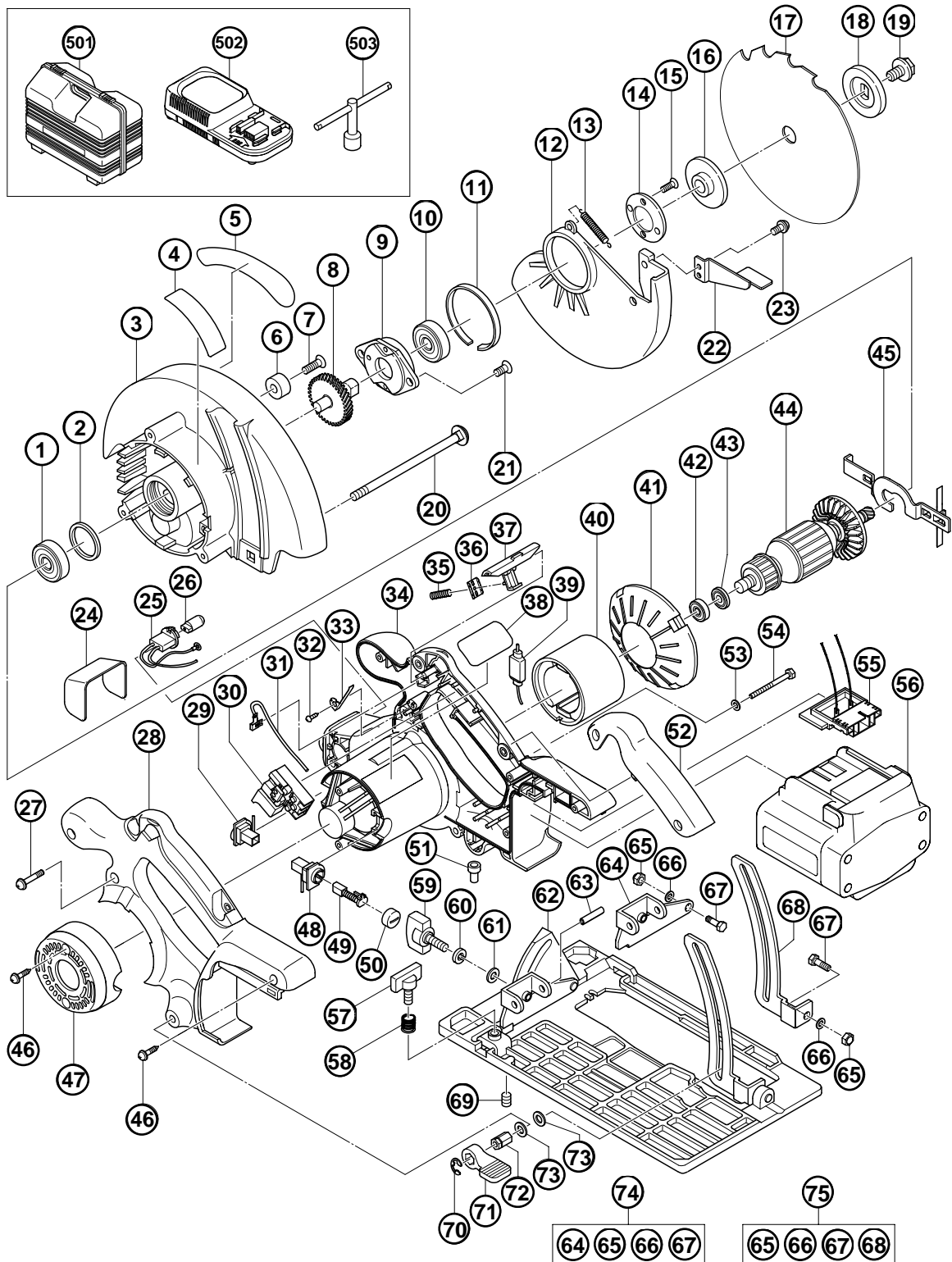


ELECTRIC TOOL PARTS LIST

■ CORDLESS CIRCULAR SAW
Model C 7D

2001・5・10
(E1)



PARTS

C 7D

ITEM NO.	CODE NO.	DESCRIPTION	NO. USED	REMARKS
1	620-1VV	BALL BEARING 6201VVCMP2L	1	
2	302-432	RUBBER RING	1	
* 3	319-884	GEAR COVER ASS'Y	1	INCLUD.2,6,7
* 3	319-885	GEAR COVER ASS'Y	1	INCLUD.2,4,6,7 FOR USA,CAN
* 4		CAUTION PLATE	1	FOR USA,CAN
5		HITACHI LABEL	1	
6	961-729	CUSHION	1	
7	949-794	FLAT HD. SCREW M6X20 (10 PCS.)	1	
8	319-877	SPINDLE AND GEAR SET	1	
9	302-433	BEARING HOLDER	1	
10	600-3VV	BALL BEARING 6003VVCMP2L	1	
11	961-807	BUSHING	1	
12	302-425	SAFETY COVER	1	
13	302-442	RETURN SPRING	1	
14	302-435	BEARING COVER	1	
15	990-430	SEAL LOCK FLAT HD. SCREW M4X10	2	
* 16	302-444	WASHER (A)	1	
* 16	302-443	WASHER (A)	1	FOR USA,CAN
* 17	302-411	TCT SAW BLADE 185MM-D20 HOLE-NT18	1	
* 17	302-410	TCT SAW BLADE 185MM-D16 HOLE-NT18	1	FOR USA,CAN
18	302-423	WASHER (B)	1	
19	302-427	BOLT (W/FLANGE) M8X15.5	1	
20	319-879	BOLT (SQUARE) M6	1	
21	992-013	SEAL LOCK FLAT HD. SCREW M5X14	2	
22	302-426	LEVER	1	
23	949-215	MACHINE SCREW M4X8 (10 PCS.)	1	
24	317-204	LIGHT COVER ASS'Y	1	
25	319-820	SOCKET	1	
26	319-887	LIGHT 24V 5W	1	
27	302-434	MACHINE SCREW (W/WASHERS) M5X45 (BLACK)	3	
28	319-972	HANDLE COVER	1	
29	319-893	BRUSH HOLDER	1	
30	319-825	SWITCH (1P SCREW TYPE) W/O LOCK	1	
31	319-889	INTERNAL WIRE	1	
32	958-715	TAPPING SCREW D4X10	1	
33	319-823	TERMINAL (D)	1	
34	319-971	HOUSING	1	
35	301-631	SPRING (F)	1	
36	317-207	TERMINAL (A)	1	
37	319-904	KNOB	1	
38		NAME PLATE	1	
39	319-891	RESISTOR (A)	1	
40	319-846	MAGNET	1	
41	319-878	FAN GUIDE	1	
42	608-VVM	BALL BEARING 608VVC2PS2L	1	
43	311-435	DUST SEAL (A)	1	
44	360-556	ARMATURE ASS'Y DC 24V	1	INCLUD.1,42,43
45	302-431	LOCK LEVER	1	
46	302-086	TAPPING SCREW (W/FLANGE) D4X20 (BLACK)	6	
47	319-832	TAIL COVER	1	
48	319-827	BRUSH HOLDER (WITH RED INTERNAL WIRE)	1	

