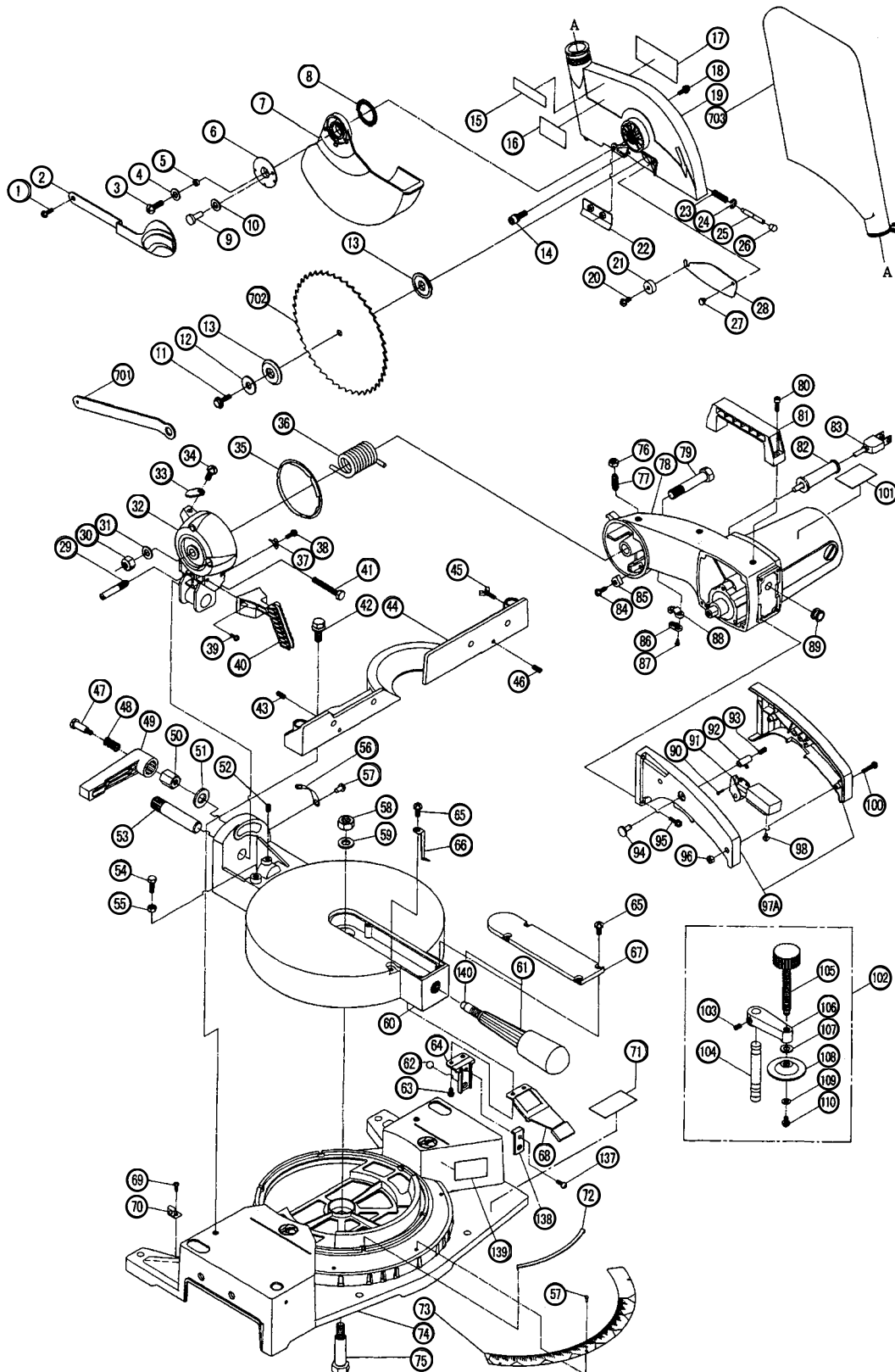
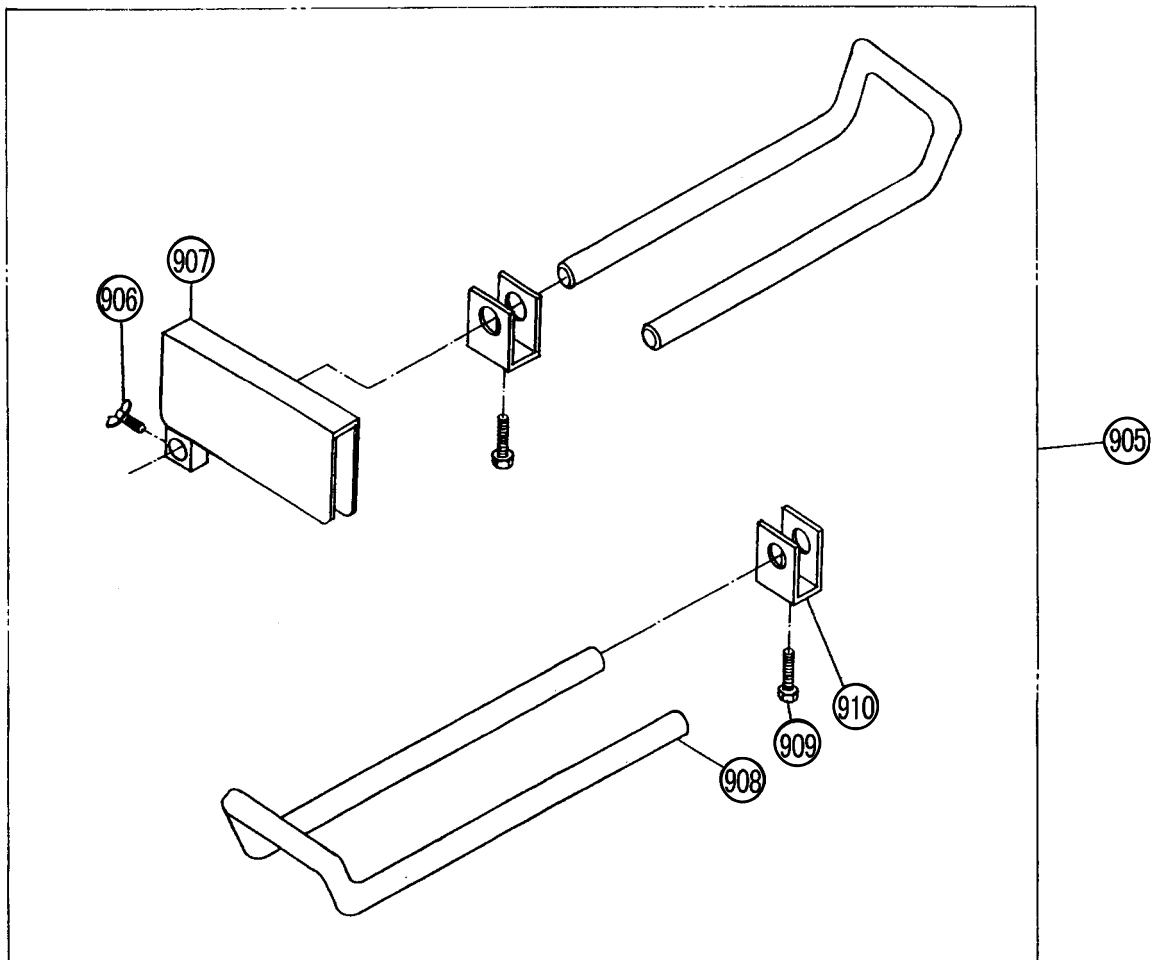
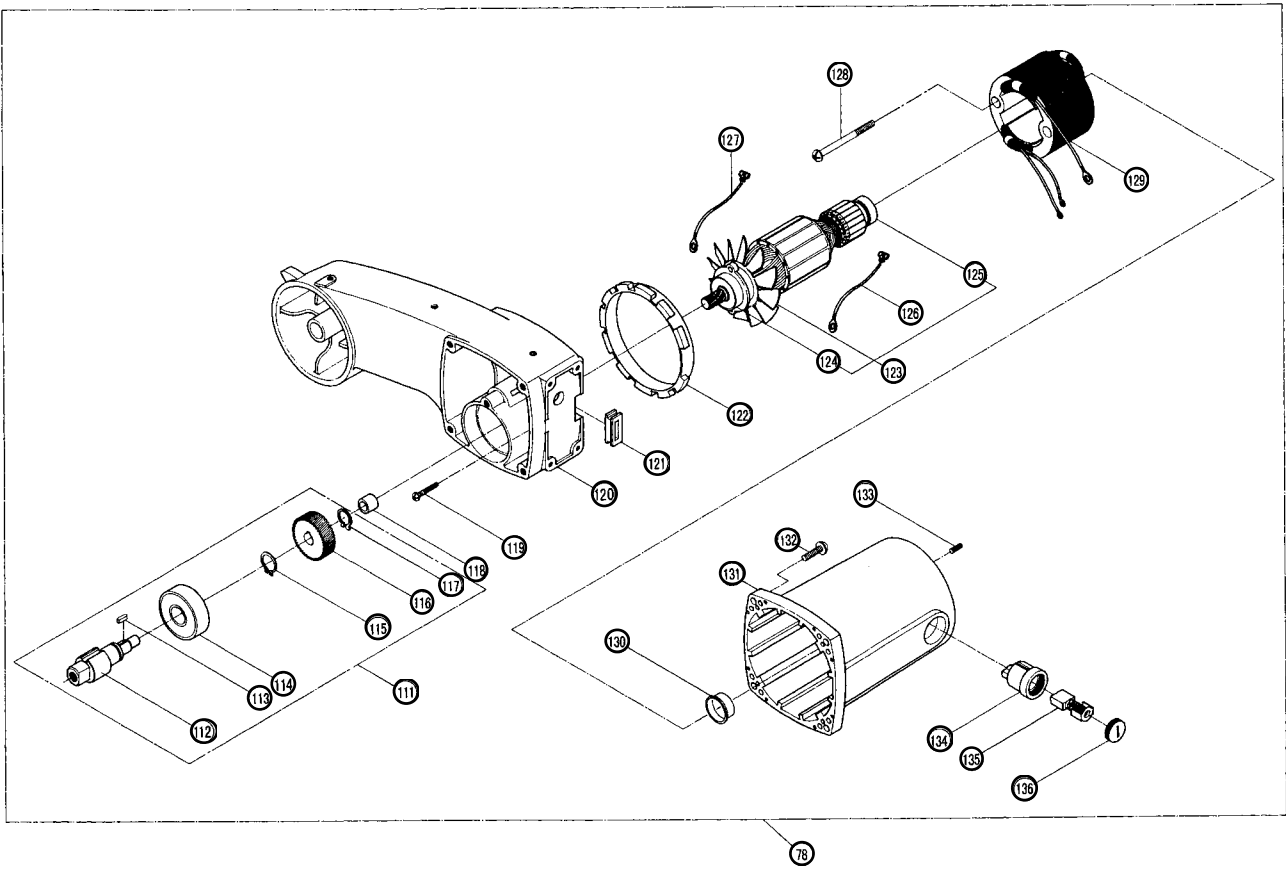


ELECTRIC TOOL PARTS LIST

■ COMPOUND SAW
Model C 10FC2

2001•3•30
(E2)





PARTS

C 10FC2

ITEM NO.	CODE NO.	DESCRIPTION	NO. USED	REMARKS
1	311-024	TRUSS HD. SCREW 1/4"X1/2"	1	
2	311-025	LINK	1	
3	317-345	MACHINE SCREW M5X16	1	
4	311-026	WASHER 3/16"X3/4"	1	
5	311-027	COLLAR	1	
6	317-346	GUARD RETAINER	1	
7	315-118	BLADE GUARD (PLASTIC)	1	
8	317-359	SPRING GUARD	1	
9	311-023	RIVET	1	
10	311-022	WASHER 3/16"X3/8"	1	
11	314-348	BOLT (LEFT HAND) W/WASHER M8X20	1	
12	311-014	WASHER	1	
13	317-428	ARBOR COLLAR	2	
14	317-068	HEX. SOCKET HD. BOLT M5X20	3	
15	311-031	HITACHI LABEL	1	
16		WARNING LABEL(B)	1	
17		WARNING LABEL(C)	1	
18	949-237	MACHINE SCREW M5X12 (10 PCS.)	2	
19	315-119	BLADE GUARD (METAL)	1	
20	311-021	FLAT HD. SCREW 32UNFX13/16"	1	
21	311-020	SLEEVE RUBBER	1	
22	311-037	REAR LOWER GUARD	1	
23	311-019	SPRING	1	
24	311-018	E-RING	1	
25	311-017	BRACKET STOP	1	
26	311-016	CAP RUBBER	1	
27	311-036	RIVET 3/16"X17/32"	1	
28	311-035	CUTTER SHAFT GUARD	1	
29	311-062	SCREW STOP	1	
30	311-063	CHUCK NUT M16	1	
31	311-064	WASHER M16X30	1	
32	311-066	ANGLE REGULATOR	1	
33	311-067	PLATE LOCK	1	
34	317-475	CR. RE. PAN HD. ROUND NECK SCREW M6X12	1	
35	311-109	SLIDE PLATE	1	
36	311-068	TORSION SPRING	1	
37	311-061	ANGLE POINTER	1	
38	949-214	MACHINE SCREW M4X6 (10 PCS.)	1	
39	317-376	MACHINE SCREW (W/WASHER) M5X14	2	
40	311-110	CHIP DEFLECTOR	1	
41	311-108	HEX. BOLT M10X65	1	
42	317-069	HEX. BOLT (W/WASHER) M10X35	2	
43	952-384	HEX. SOCKET SET SCREW M5X10	2	
44	311-058	FENCE	1	
45	311-125	WING SCREW M5X20	2	
46	952-384	HEX. SOCKET SET SCREW M5X10	2	
47	317-362	SCREW	1	
48	317-363	COMPRESSION SPRING	1	
49	317-364	CLAMP LEVER	1	
50	317-365	HANDLE COLLAR	1	
51	311-052	WASHER 3/8"X29/32"	1	

PARTS

C 10FC2

ITEM NO.	CODE NO.	DESCRIPTION	NO. USED	REMARKS
52	311-129	HEX. SOCKET SET SCREW M6X12	1	
53	311-065	PIVOT SHAFT	1	
54	949-616	BOLT M6X25 (10 PCS.)	2	
55	949-556	NUT M6 (10 PCS.)	2	
56	311-055	TILT BRACKET	1	
57	311-042	DRIVE SCREW D2.3X5	5	
58	314-519	NUT CHUCK M8	1	
59	311-047	FLAT WASHER M8	1	
60	317-347	TABLE	1	
61	317-348	HANDLE BAR ASS'Y	1	INCLUD.140
62	311-049	STEEL BALL D8	1	
63	317-349	MACHINE SCREW M5X10	2	
64	317-350	LOCATION SEAT	1	
65	949-215	MACHINE SCREW M4X8 (10 PCS.)	5	
66	311-056	TILT POINTER	1	
67	311-046	TABLE INSERT	1	
68	317-351	PLATE SPRING	1	
69	317-352	TAPPING SCREW D5X10	1	
70	317-353	FOLLOWER PLATE	1	
71		WARNING LABEL(A)	1	
72	311-043	ROTATION SLIDE PLATE	3	
73	317-354	TILTING SCALE	1	
74	317-355	BASE	1	
75	311-039	CENTER SHAFT	1	
76	949-560	NUT M10 (10 PCS.)	1	
77	311-071	ADJUSTING SCREW M10	1	
* 78	317-473	MOTOR ASS'Y 115V	1	INCLUD.101,111,118-123,126-136 FOR USA
* 78	317-474	MOTOR ASS'Y 115V	1	INCLUD.101,111,118-123,126-136 FOR CAN
79	311-094	SPECIAL BOLT	1	
80	949-656	HEX. SOCKET HD. BOLT M8X20 (10 PCS.)	2	
81	311-095	SEGMENT HANDLE	1	
82	311-096	CORD GUARD	1	
83	312-385	CORD	1	
84	949-241	MACHINE SCREW M5X20 (10 PCS.)	1	
85	311-069	CUSHION	1	
86	311-070	CORD CLAMP	1	
87	317-377	TAPPING SCREW D4X20	2	
88	317-071	CORD CLAMP	1	
89	317-367	STRAIN RELIEF	1	
90	311-103	TRUSS HD. TAPPING SCREW D4X12	2	
91	317-368	SWITCH	1	
92	311-101	STOPPER	1	
93	311-100	SPRING	1	
94	311-105	LOCK-OFF BUTTON	1	
95	316-439	TAPPING SCREW (W/WASHERS) D5X20	4	
96	949-554	NUT M4 (10 PCS.)	2	
97A	317-769	HANDLE SET	1	
98	317-070	MACHINE SCREW M5X12	6	
100	949-221	MACHINE SCREW M4X20 (10 PCS.)	2	
101		NAME PLATE	1	
102	317-382	WISE ASS'Y	1	INCLUD.103-110

PARTS

C 10FC2

ITEM NO.	CODE NO.	DESCRIPTION	NO. USED	REMARKS
103	967-079	HEX. SOCKET SET SCREW M6X8	1	
104	311-119	POST	1	
105	311-124	HANDLE BAR	1	
106	311-123	SUPPORT SEAT	1	
107	311-122	WASHER M10X19	1	
108	311-121	FLANGE	1	
109	311-126	WASHER 3/16"X1/2"	1	
110	311-120	MACHINE SCREW (W/WASHER) M5	1	
111	311-494	SPINDLE ASS'Y	1	INCLUD.112-117
112	311-074	SHAFT ARBOR	1	
113	314-567	PARALLEL KEY	1	
114	630-4VV	BALL BEARING 6304VVCMAV2S	1	
115	311-076	C-RING	1	
116	311-077	GEAR	1	
117	317-074	C-RING	1	
118	311-078	NEEDLE BEARING NK1210	1	
119	317-378	MACHINE SCREW (W/SP. WASHER) M5X12	2	
120	311-079	ARM	1	
121	311-080	WIRE PROTECTOR	1	
122	311-084	INTERNAL WIRE HOLDER	1	
123	317-381	ARMATURE ASS'Y 115V	1	INCLUD.124,125
124	620-0VV	BALL BEARING 6200VVCMP2L	1	
125	600-2DD	BALL BEARING 6002DDCMP2L	1	
126	311-083	INTERNAL WIRE	1	
127	311-082	MOTOR LEAD	1	
128	317-072	TAPPING SCREW D5X60 (W/WASHER)	2	
129	317-372	STATOR 115V	1	
130	317-075	BEARING BUSHING	1	
131	317-373	MOTOR HOUSING	1	
132	316-440	TAPPING SCREW (W/WASHERS) D5X25	4	
133	966-292	HEX. SOCKET SET SCREW M5X12	2	
134	317-374	BRUSH HOLDER	2	
135	311-089	CARBON BRUSH (1 PAIR)	2	
136	314-583	BRUSH CAP	2	
137	318-770	PAN HD. SCREW M4X4	1	
138	318-771	STOPPER PLATE	1	
139		WARNING LABEL	1	
140	318-819	BUSHING	1	

STANDARD ACCESSORIES

ITEM NO.	CODE NO.	DESCRIPTION	NO. USED	REMARKS
701	311-013	WRENCH	1	
702	311-128	TCT SAW BLADE 255MM-D15.88 HOLE-NT24	1	
703	311-034	DUST BAG	1	

OPTIONAL ACCESSORIES

ITEM NO.	CODE NO.	DESCRIPTION	NO. USED	REMARKS
901	976-472	TCT SAW BLADE CROSS-CUT 255MM-D15.9 HOLE	1	
903	976-473	TCT SAW BLADE 255MM-D15.9 HOLE-NT70	1	
905	311-495	HOLDER ASS'Y	1	INCLUD.906-910
906	317-375	WING BOLT 1/4"X3/4"	1	
907	311-115	STOCK STOP	1	
908	311-116	EXTENSION WING	2	
909	311-117	BOLT 1/4"X5/8"	2	
910	311-118	U-BRACKET	2	