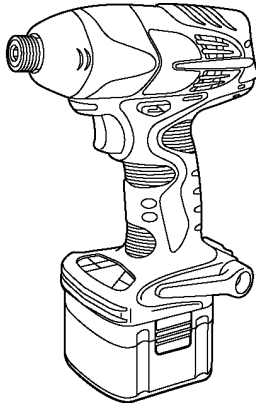


Service Manual

Cordless Impact Driver

EY7202-X8



SPECIFICATIONS

MAIN UNIT

Motor		DC Motor 12V
No load speed	Soft mode	0-2000/min (rpm)
	Medium mode	0-2450/min (rpm)
	Hard mode	0-2600/min (rpm)
Maximum torque		120.0Nm (1220kgf-cm, 1060in-lbs.)
Impact per minute	Soft mode	0-2000/min
	Medium mode	0-2500/min
	Hard mode	0-2800/min
Overall length		167mm (6-9/16")
Weight (with battery pack EY9201)		1.85kg (4.1lbs.)

⚠ WARNING

This service information is designed for experienced repair technicians only and is not designed for use by the general public. It does not contain warnings or cautions to advise non-technical individuals of potential dangers in attempting to service a product. Products powered by electricity should be serviced or repaired only by experienced professional technicians. Any attempt to service or repair the product or products dealt with in this service information by anyone else could result in serious injury or death.

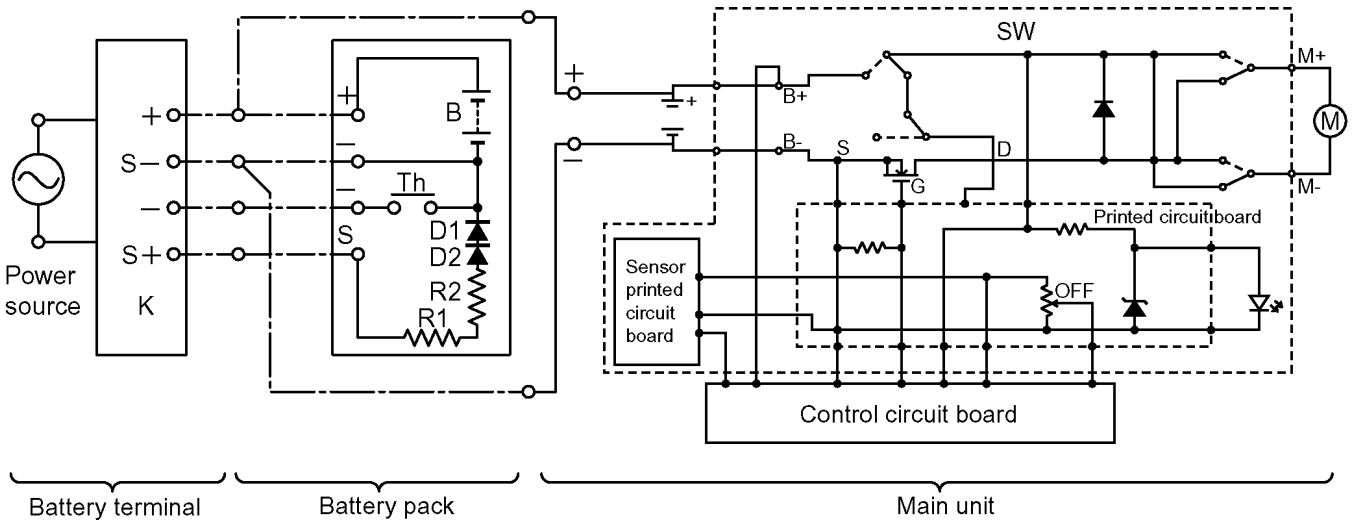
CONTENTS

	Page		Page
1 SCHEMATIC DIAGRAM	2	4 TROUBLESHOOTING GUIDE	5
2 WIRING CONNECTION DIAGRAM	2	5 EXPLODED VIEW	7
3 DISASSEMBLY/ASSEMBLY INSTRUCTIONS	3	6 REPLACEMENT PARTS LIST	8

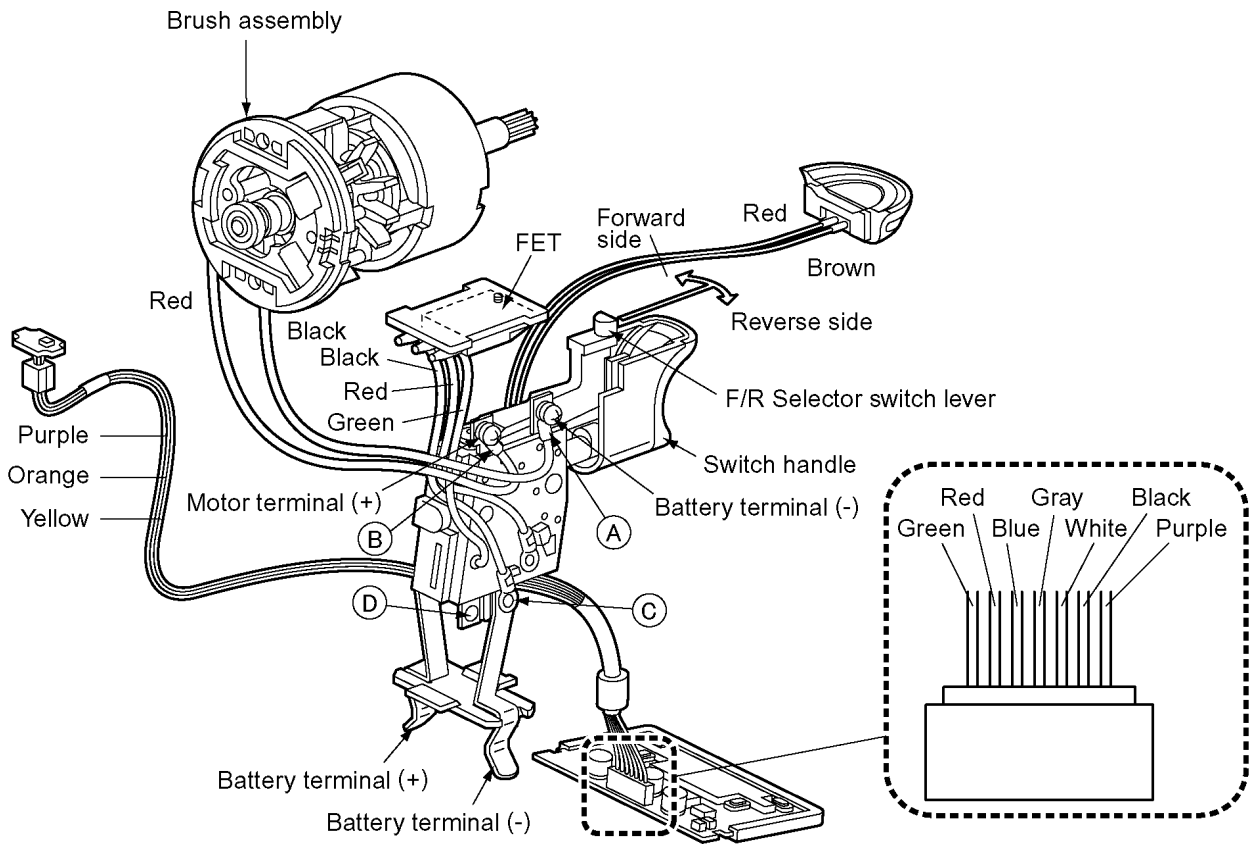
Panasonic

© 2005 Matsushita Electric Works Ltd. All rights reserved. Unauthorized copying and distribution is a violation of law.

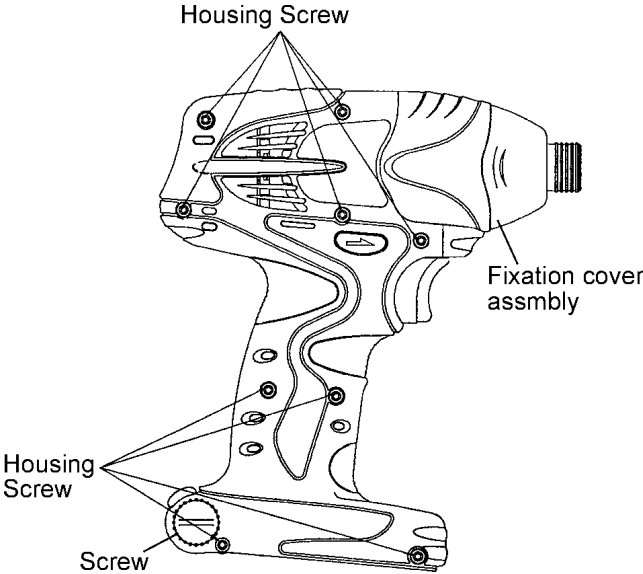
1 SCHEMATIC DIAGRAM

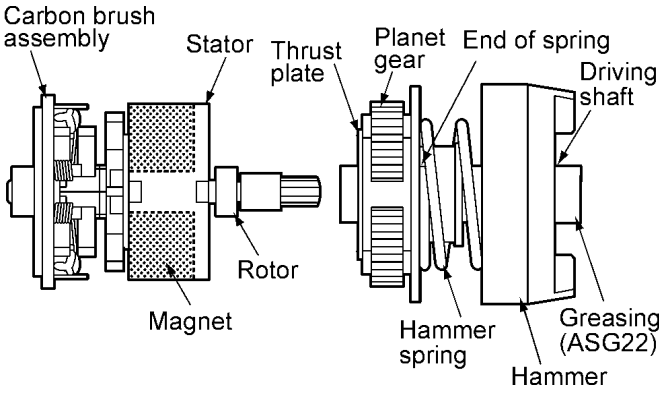


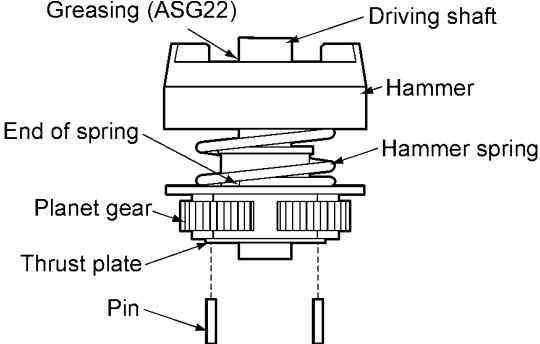
2 WIRING CONNECTION DIAGRAM

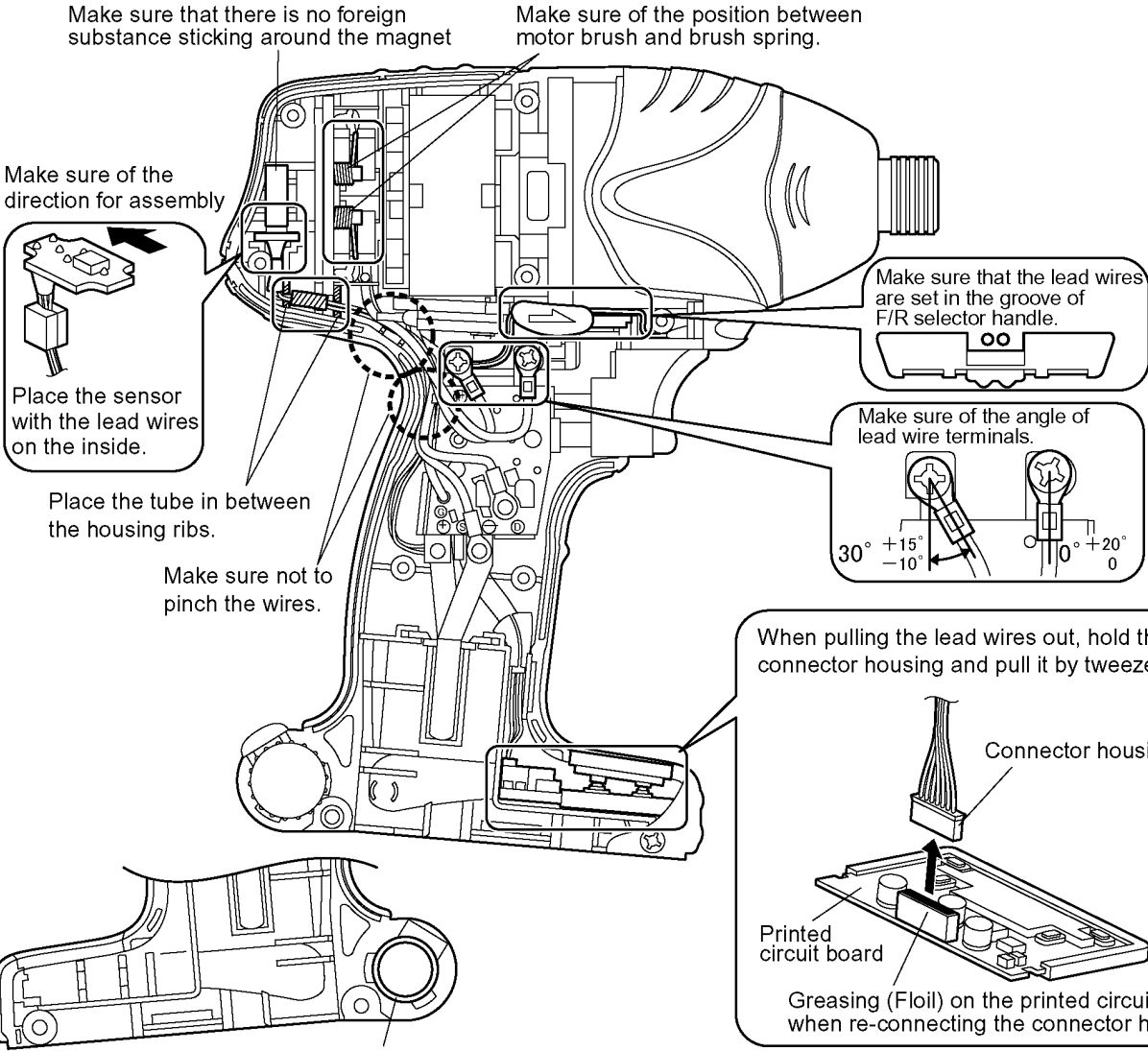


3 DISASSEMBLY/ASSEMBLY INSTRUCTIONS

Ref. No. 1A	Procedure 1A	Removal of the Housing and the Fixation cover assembly.
		<ol style="list-style-type: none"> 1. Loosen the screw turning it counterclockwise, using a coin or a flat blade screwdriver. 2. Take out the belt hook. 3. Remove nine housing screws. 4. Open the housing B. 5. Take out the fixation cover, protectors and anvil block.

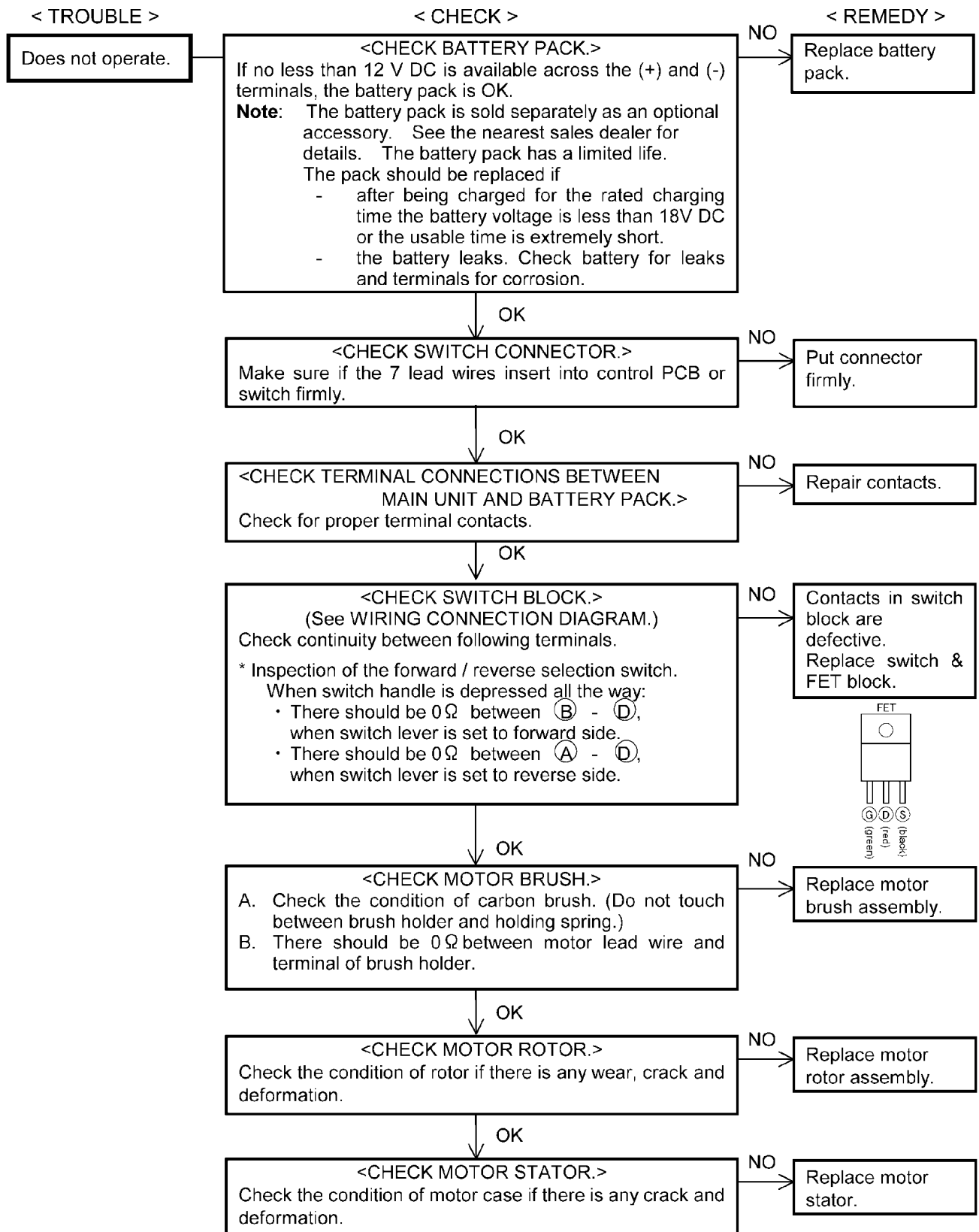
Ref. No. 1B	Procedure 1A → 1B	Removal and attachment of the Motor.
		<p>(Removal)</p> <ol style="list-style-type: none"> 1. Take out the motor with the driving block from housing. 2. Separate the motor assembly from the driving block. 3. Take out the motor rotor assembly from the motor stator. <p>NOTE : Make sure not to damage the magnet by motor rotor.</p> <p>(Attachment)</p> <ol style="list-style-type: none"> 1. Insert the motor rotor assembly into the stator. <p>NOTE : Make sure that the motor stator has their own direction for proper assembly. If it is assembled wrongly, the rotation may be the opposite way.</p>

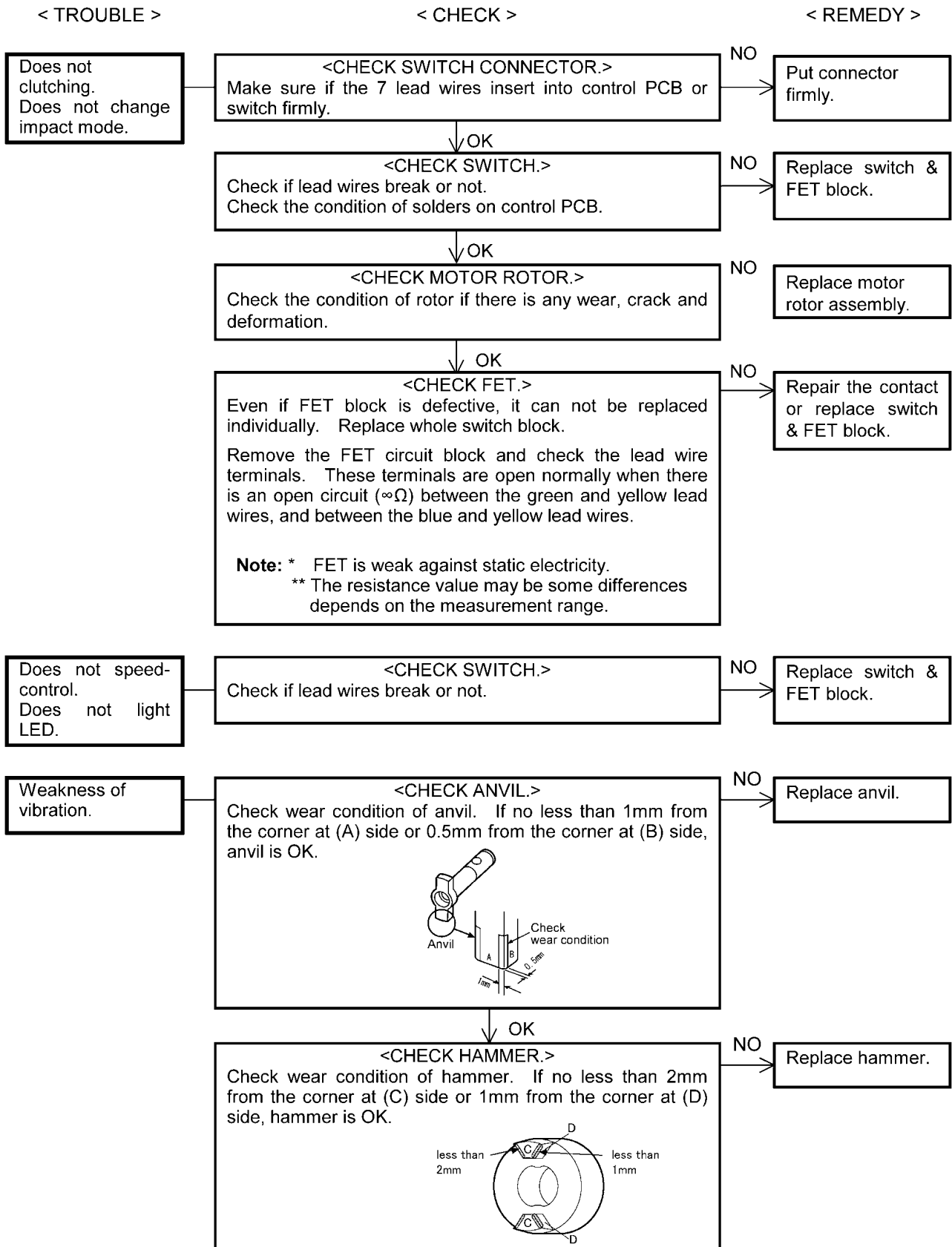
Ref. No. 1C	Procedure 1A → 1B → 1C	Removal of the Driving Block.
 <p>Labels: Greasing (ASG22), Driving shaft, Hammer, End of spring, Hammer spring, Planet gear, Thrust plate, Pin.</p>		<ol style="list-style-type: none"> 1. Remove the thrust plate. 2. Take out the planet gears and pins slightly tapping the driving block on the table.

Ref. No. 1D	Procedure 1A → 1B → 1C → 1D	Assembly of the Switch.
 <p>Labels: Make sure that there is no foreign substance sticking around the magnet. Make sure of the position between motor brush and brush spring. Make sure of the direction for assembly. Place the sensor with the lead wires on the inside. Place the tube in between the housing ribs. Make sure not to pinch the wires. Set the spring by holding the projection of housing.</p>		<ol style="list-style-type: none"> 1. Press fit the lead wires firmly. 2. Assembly the lever switch with a projection on top. 3. Connect the motor lead wires without touching (+) terminal and (-) terminal. 4. Press fit the lead wires of LED light in a groove of F/R selector handle. <p>Make sure that the lead wires are set in the groove of F/R selector handle.</p> <p>Make sure of the angle of lead wire terminals.</p> <p>When pulling the lead wires out, hold the connector housing and pull it by tweezers.</p> <p>Labels: Connector housing, Printed circuit board. Greasing (Foil) on the printed circuit board when re-connecting the connector housing.</p> <p>Angles: 30°, $+15^\circ$, -10°, 0°, $+20^\circ$, 0°.</p>

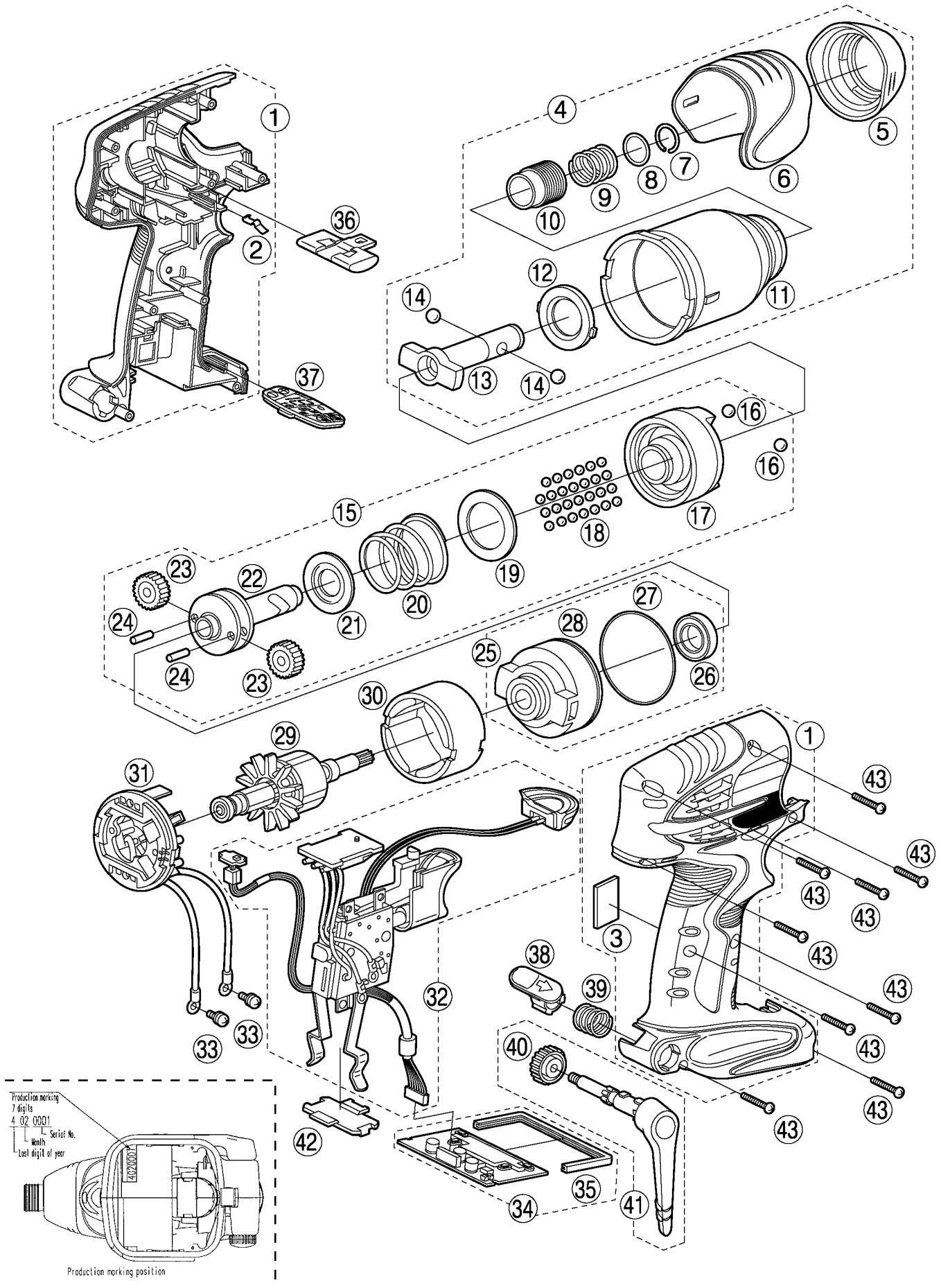
4 TROUBLESHOOTING GUIDE

(Refer to WIRING CONNECTION DIAGRAM)





5 EXPLODED VIEW



6 REPLACEMENT PARTS LIST

NOTE:

*B=only available as set

*C=available individually

Ref.No.	Part No.	Part Name & Description	Remarks		Per Unit
1	WEY7202K3079	HOUSING AB SET		for EUROPE	1
1	WEY7201K3070	HOUSING AB SET		for OCEANIA	1
2	WEY6481L0177	CLICK SPRING	*C		2
3	WEY7201L0327	CUSHION		4*10*2	1
4	WEY7201H4058	FIXATION COVER ASSEMBLY			1
5	WEY7201K3107	NOSE PROTECTOR			1
6	WEY7201H3207	PROTECTOR			1
7	WEY6507K1167	C-TYPE RING			1
8	WEY6507L0857	THRUST PLATE			1
9	WEY6507L0197	BIT HOLDER SPRING			1
10	WEY6507K3717	BIT HOLDER			1
11	WEY7201S3307	FIXATION COVER			1
12	WEY6505L0867	SLIDER			1
13	WEY7201L1128	ANVIL			1
14	WEY6507L6977	STEEL BALL	*B	(2PCS/PK) ϕ 5/32	2
15	WEY7201L1067	DRIVING SHAFT ASSEMBLY			1
16	WEY7201L6967	STEEL BALL	*B	(2PCS/PK) ϕ 7/32	2
17	WEY7201L1377	HAMMER			1
18	WEY7300L6957	STEEL BALL	*B	(27PCS/PK)	27
19	WEY6505L0897	THRUST PLATE			1
20	WEY7201L0157	HAMMER SPRING			1
21	WEY6508L1147	SPRING FIXING PLATE			1
22	WEY7201L1137	DRIVING SHAFT			1
23	WEY6506L1357	PLANET GEAR	*B	(2PCS/PK)	2
24	WEY6506L1347	PIN	*B	(2PCS/PK)	2
25	WEY7201L0027	MOTOR MOUNTING PLATE ASSEMBLY			1
26	WEY7201L4957	BEARING			1
27	WEY7201L0987	O-RING		ϕ 41	1
28	WEY7201L3747	MOTOR MOUNTING PLATE			1
29	WEY7201L1467	MOTOR ROTOR ASSEMBLY			1
30	WEY7201L1187	STATOR			1
31	WEY7201L2307	BRUSH ASSEMBLY			1
32	WEY7202Y2008	SWITCH			1
33	WEY6261B6027	SEMS SCREW	*C	K3-6	2
34	WEY7202L2067	MODULE			1
35	WEY7200L0337	RUBBER			1
36	WEY7201Y3247	F/R SELECTOR HANDLE			1
37	WEY7202Y3258	OPERATION PANEL			1
38	WEY7201Y3267	BELT HOOK LOCK LEVER			1
39	WEY7201L0167	SPRING			1
40	WEY6470K3187	BELT HOOK BOLT			1
41	WEY7201Y3317	BELT HOOK			1
42	WEY6230L0207	DUST PREVENTIVE PLATE			▲ 1
43	WEY6230K9218	TORX TAPPING SCREW	*C	K3*20	▲ 9
-	WEY9598K7018	TOOL CASE			▲ 1
-	WEY7202K8109	OPERATING INSTRUCTIONS			▲ 1

**Battery Pack is available as an optional accessory. See the nearest sales dealer for details.

***For replacement parts of charger, see the charger service manual.

Charger complete set is available as an optional accessory. See the nearest sales dealer for details.