

Service Manual

Cordless impact driver

EY6600

Cordless impact wrench

EY6601

< Specifications >

EY6600

Motor : 12V DC
 No load speed : 0-2,200 r.p.m.
 Impact per minute : 0-3,000 i.p.m.
 Maximum torque : 83.3Nm, 850kg-cm, 740in. lbs.
 Overall length : 8-11/16", 221mm
 Weight : 4.0 lbs., 1.8kg
 (with battery pack)

EY6601

Motor : 12V DC
 No load speed : 0-2,200 r.p.m.
 Impact per minute : 0-2,800 i.p.m.
 Maximum torque : 118Nm, 1,200kg-cm, 1,040 in. lbs.
 Overall length : 8-11/16", 220mm
 Weight : 4.0 lbs., 1.8kg
 (with battery pack)

BATTERY PACK

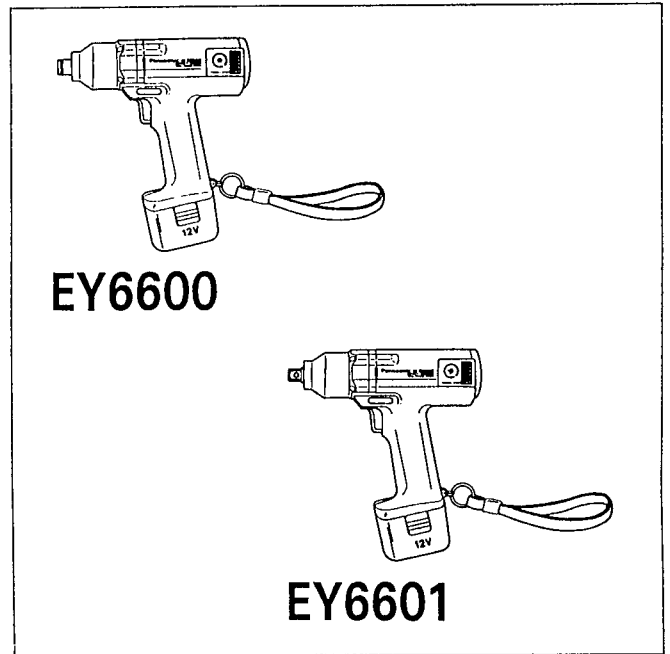
Storage battery : Ni-Cd battery
 Battery voltage : 12V DC (1.2V × 10cells)

BATTERY CHARGER

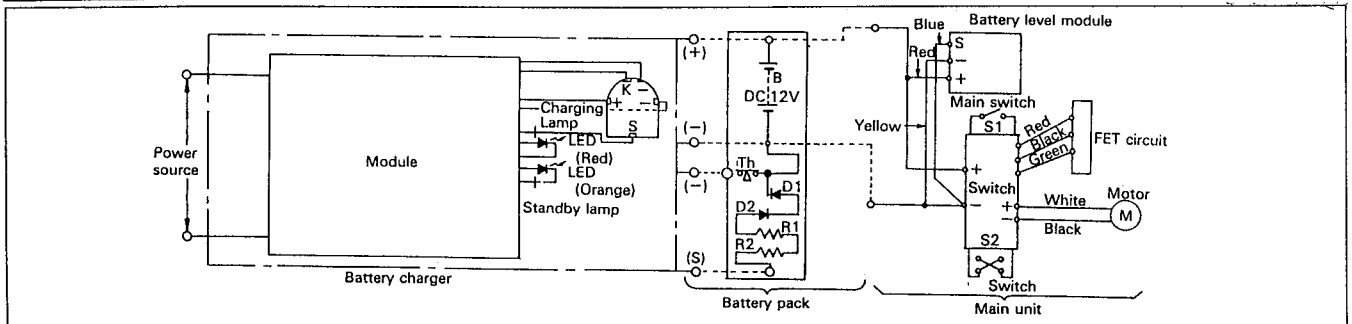
Input : 220, 230, 240V AC separately available
 Weight : 1.45 lbs., 0.66kg
 Charging time : Standard 15 minutes

< Standard equipment >

- Battery charger
- Battery pack
- Plastic case
- Phillips bit
- Depth adjuster
- Bit adaptor
- Bit piece



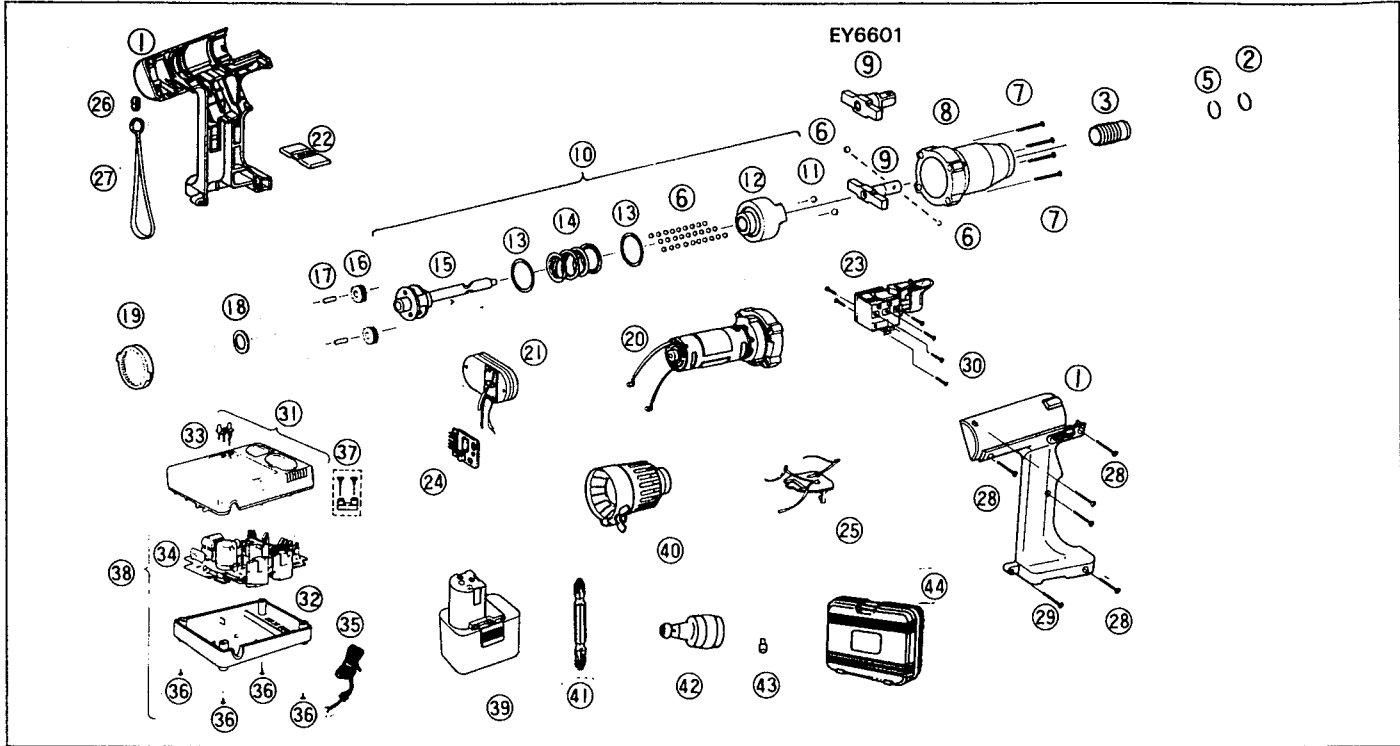
SCHEMATIC DIAGRAM



WARNING

This service literature is designed for experienced repair technicians only and is not designed for use by the general public. It does not contain warnings or cautions to advise non-technical individuals of potential dangers in attempting to service a product. Products powered by electricity should be serviced or repaired only by experienced professional technicians. Any attempt to service or repair the product or products dealt with in this service information by anyone else could result in serious injury or death.

EXPLODED VIEW



REPLACEMENT PARTS LIST

EY6600

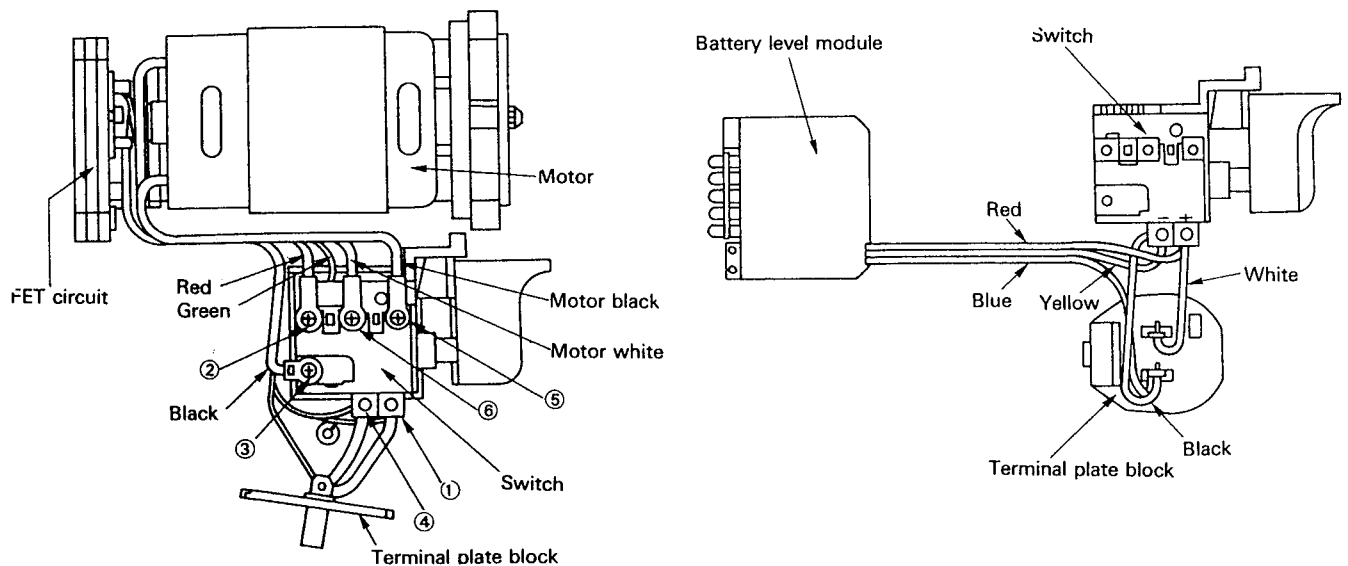
Ref. No.	Part No.	Part Name & Descriptions	Per Set	Remarks
1	WEY6600B3079	Housing AB set	1	Only available as set
2	WEY574B1167	Spring C for bit	1	
3	WEY6600B3717	Bit holder	1	
4	WEY6600B0197	Spring for bit	1	
5	WEY574B0857	Thrust plate C	1	
6	WEY6600B1918	Steel ball A set	27	Only available as set
7	WEY507B9097	Tapping screw	4	Available individually
8	WEY6600S0547	Cover for driving block	1	
9	WEY6600B1127	Anvil	1	
10	WEY6600B1067	Driving shaft block	1	
11	WEY574B6967	Steel ball B set	2	Only available as set
12	WEY6600B1377	Hammer	1	
13	WEY574B0837	Thrust plate A	2	Available individually
14	WEY6600B0157	Spring for hammer	1	
15	WEY6600B1137	Driving shaft	1	
16	WEY6600B1357	Planet gear	2	Only available as set
17	WEY574B1347	Gear shaft	2	Only available as set
18	WEY574B0847	Thrust plate B	1	
19	WEY6600B1457	Ring gear	1	
20	WEY6600B1007	Motor	1	
21	WEY6600B2107	FET circuit block	1	
22	WEY574H3248	Forward/Reverse selector handle	1	
23	WEY6600Y2008	Switch	1	
24	WEY6600B2197	Battery level module	1	
25	WEY6600B2157	Terminal plate block	1	
26	WEY505B0287	Hand strap ring	1	
27	WEY506B0277	Hand strap	1	
28	WEY574B9037	Screw	5	Available individually
29	WEY6261B9057	Tapping screw	1	
30	WEY6600B6198	Screw	4	Available individually
31	WEY0202B3099	Housing A for charger	1	
32	WEY0202B3033	Housing B for charger	1	
33	WEY0200C0547	Lamp cover	1	
34	WEY0202B2129	Module	1	
35	WEY0001B2058	Power cord	1	
36	WEY0001B6237	Tapping screw	4	Available individually
37	WEY562B0218	Cord anchore set	1	Only available as set
38	WEY0202B7659	Battery charger	1	
39	EY9001	Battery pack	1	Commercial available
40	WEY6600H7208	Depth adjuster	1	
41	WEY574B7927	#2 phillips bit	1	
43	WEY574B7817	Bit piece	1	
44	WEY6600H7018	Tool case	1	
-	WEY6600B8008	Individual box	1	
-	WEY6600B8109	Operating instructions	1	

REPLACEMENT PARTS LIST

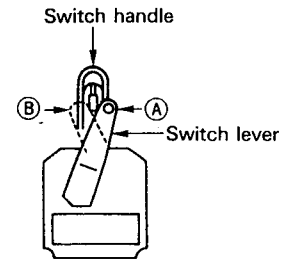
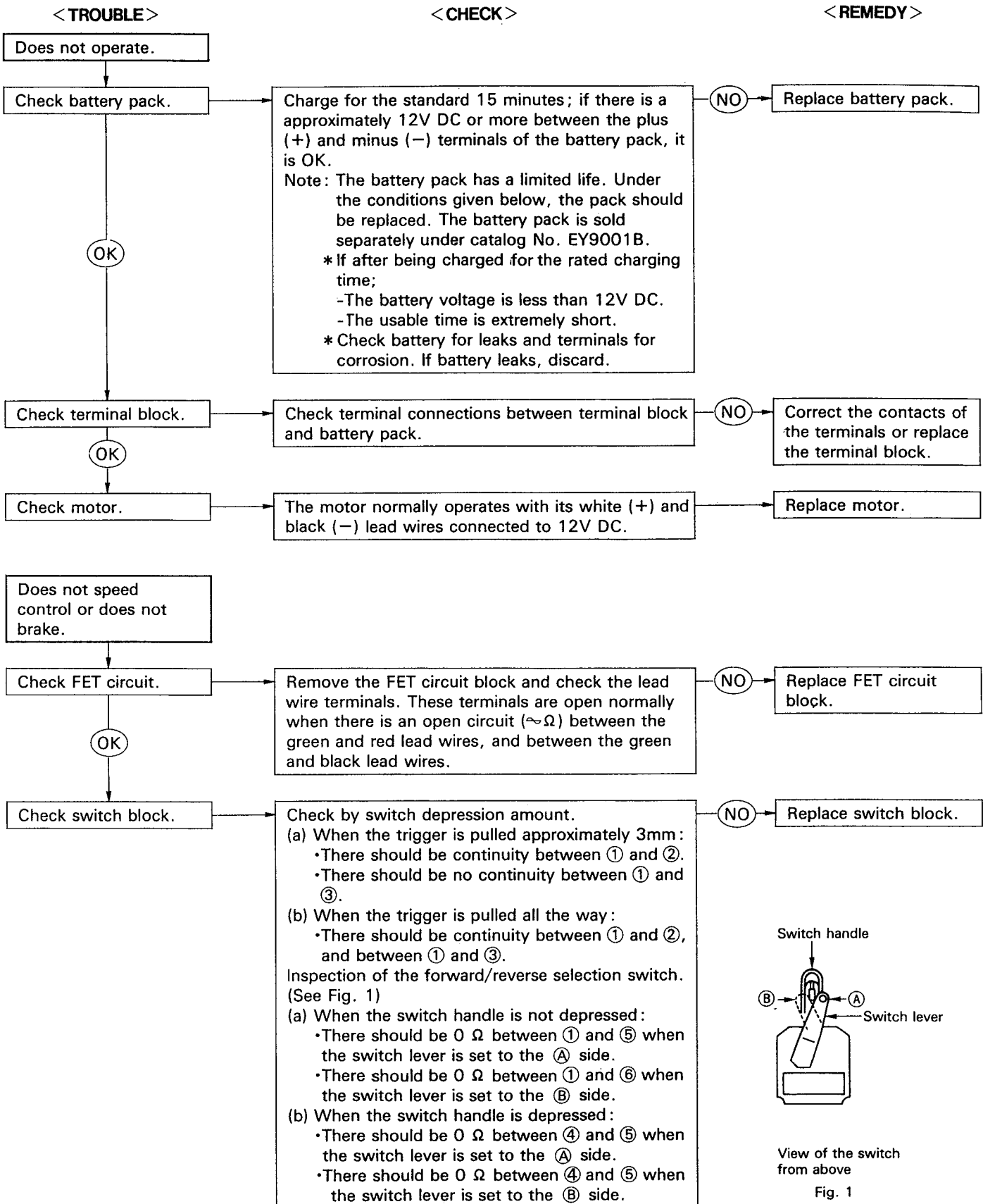
EY6601

Ref. No.	Part No.	Part Name & Descriptions	Per Set	Remarks
1	WEY6601B3079	Housing AB set	1	Only available as set
6	WEY6600B1918	Steel ball A set	27	Only available as set
7	WEY507B9097	Tapping screw	4	Available individually
8	WEY6601S0547	Cover for driving block	1	
9	WEY6601B1127	Anvil	1	
10	WEY6601B1067	Driving shaft block	1	
11	WEY574B6967	Steel ball B set	2	Only available as set
12	WEY6601B1377	Hammer	1	
13	WEY574B0837	Thrust plate A	2	Available individually
14	WEY6600B0157	Spring for hammer	1	
15	WEY6600B1137	Driving shaft	1	
16	WEY6600B1357	Planet gear	2	Only available as set
17	WEY574B1347	Gear shaft	2	Only available as set
18	WEY574B0847	Thrust plate B	1	
19	WEY6600B1457	Ring gear	1	
20	WEY6600B1007	Motor	1	
21	WEY6600B2107	FET circuit block	1	
22	WEY574H3248	Forward/Reverse selector handle	1	
23	WEY6600Y2008	Switch	1	
24	WEY6600B2197	Battery level module	1	
25	WEY6600B2157	Terminal plate block	1	
26	WEY505B0287	Hand strap ring	1	
27	WEY506B0277	Hand strap	1	
28	WEY574B9037	Screw	5	Available individually
29	WEY6261B9057	Tapping screw	1	
30	WEY6600B6198	Screw	4	Available individually
31	WEY0202B3099	Housing A for charger	1	
32	WEY0202B3033	Housing B for charger	1	
33	WEY0200C0547	Lamp cover	1	
34	WEY0202B2129	Module	1	
35	WEY0001B2058	Power cord	1	
36	WEY0001B6237	Tapping screw	4	Available individually
37	WEY562B0218	Cord anchore set	1	Only available as set
38	WEY0202B7659	Battery charger	1	
39	EY9001	Battery pack	1	Commercial available
41	WEY574B7927	#2 phillips bit	1	
42	WEY6601B7908	Bit adaptor	1	
43	WEY574B7817	Bit piece	1	
44	WEY6600H7018	Tool case	1	
--	WEY6601B8008	Individual box	1	
--	WEY6601B8109	Operating instructions	1	

WIRING CONNECTION DIAGRAM



TROUBLESHOOTING GUIDE



View of the switch from above

Fig. 1

CAUTION

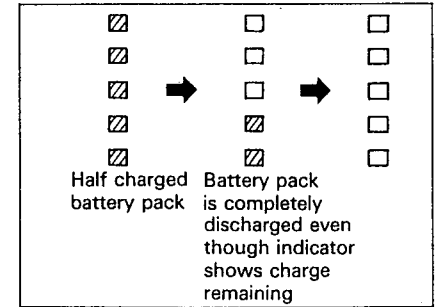
1. Be sure only to fit a fully charged battery pack.

- * The battery level monitor is reset when replacing the battery pack. If replaced with a partly charged battery, the monitor will reset to display a full charge and operation will cut out while charge is still indicated as remaining.
- * The battery level monitor calculates the remaining charge by resetting to 100% upon fitting and then subtracting the charge consumed (current x time.)

< NOTE >

- * Do not remove and then replace the same battery without charging as the battery level monitor will be reset and give an erroneous display.
- * The time taken for the indicator lamps to extinguish depends upon various factors including ambient temperature and the work load.

2. If the unit should stop operating while the battery level monitor still shows charge remaining even though a fully charged battery pack was installed, the battery pack has reached the end of its life.



BATTERY LEVEL MONITOR (Only accurate from a full charge)

- * Indicates remaining battery charge.
- * Lights up for five seconds approximately 1.5 seconds after turning off.
- * The indicator lamp will blink if the remaining charge is 20% or less.

Fully charged	Half charged	20% or less charge remaining
---------------	--------------	------------------------------

100	100	100
80	80	80
60 →	60 →	60
40	40	40
20	20	20

