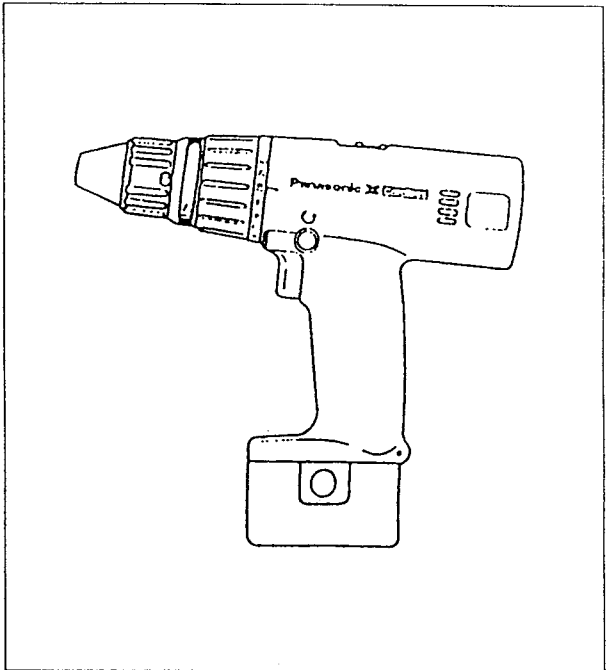


Service Manual

Cordless Drill & Driver

EY6100

EY6181



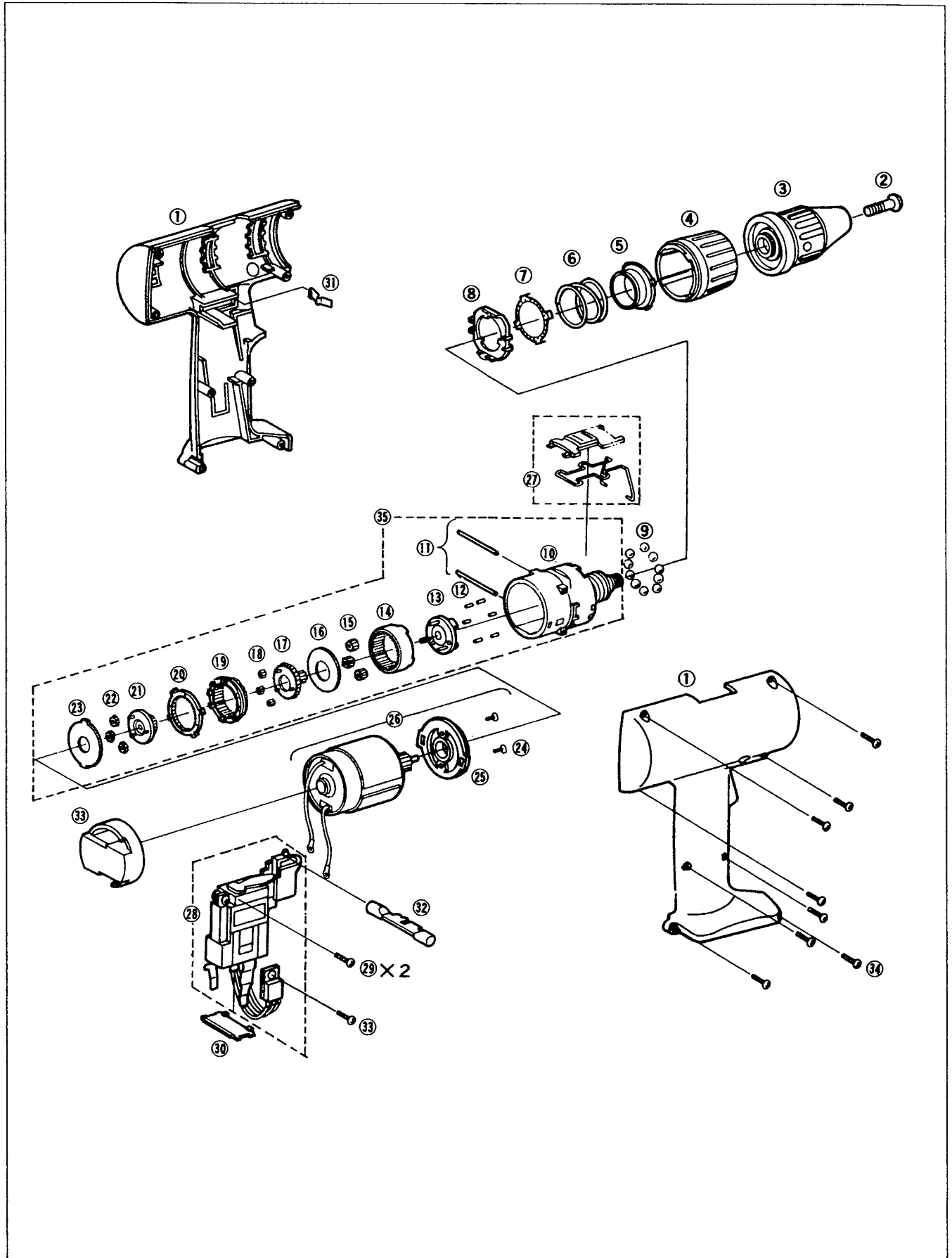
CONTENTS

	Page
▪ Specifications	2
▪ Disassembly & Assembly Instructions	3 - 6 (English) , 11 - 14 (German)
▪ Wiring Connection Diagram	7
▪ Troubleshooting	8 - 10 (English) , 15 - 17 (German)
▪ Schematic Diagram	18
▪ Exploded View	19 ▪ 21
▪ Replacement Parts List	20 ▪ 22

⚠ WARNING

This service literature is designed for experienced repair technicians only and is not designed for use by the general public. It does not contain warnings or cautions to advise non-technical individuals of potential dangers in attempting to service a product. Products powered by electricity should be serviced or repaired only by experienced professional technicians. Any attempt to service or repair the product or products dealt with in this service information by anyone else could result in serious injury or death.

EXPLODED VIEW

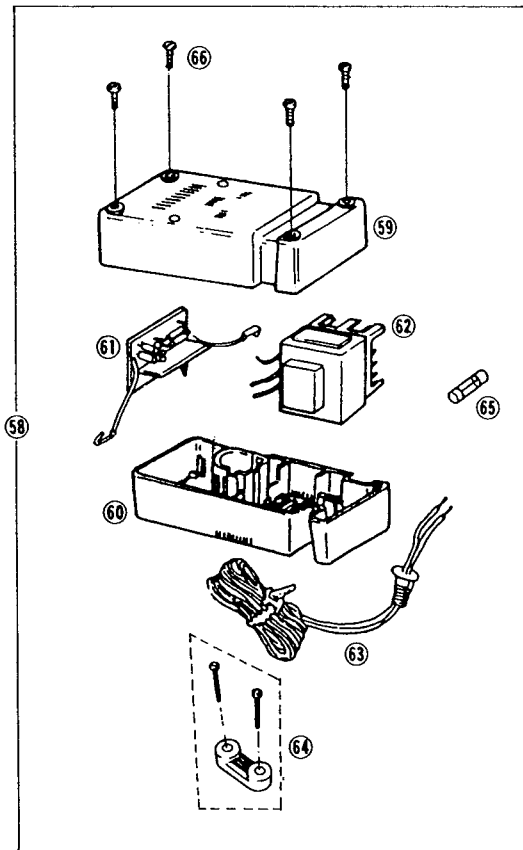
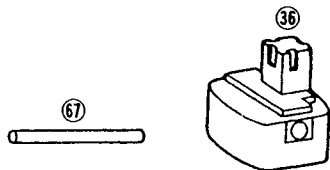
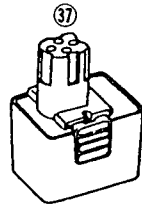
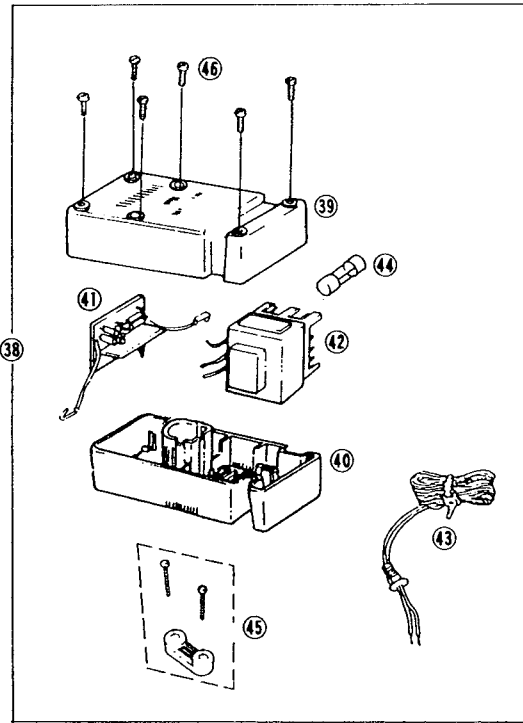
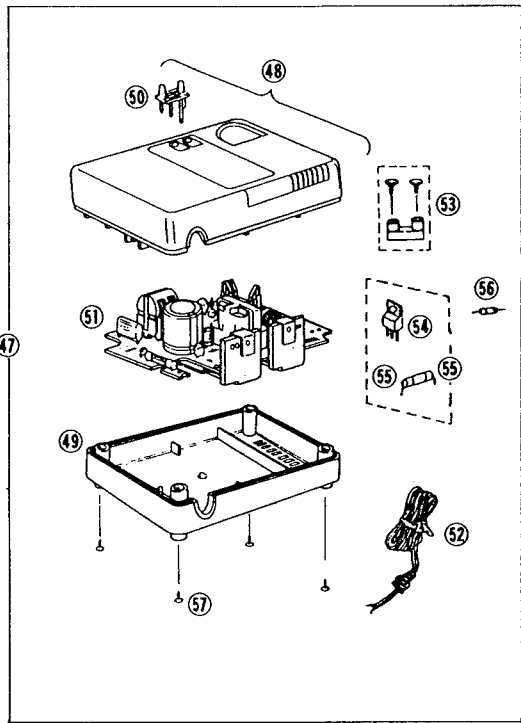


REPLACEMENT PARTS LIST

Note : *A ... available as an optional accessory *E ... for U.K.
 *B ... only available as set *F ... for Scandinavia
 *C ... available individually *G ... for Australia
 *D ... for F.R. Germany *H ... for New Zealand

Ref No.	EY6100	EY6181	Parts Name & Descriptions	Per set	Remarks
	Parts No.	Parts No.			
1	▲WEY6100K3079	▲WEY6181K3079	HOUSING AB SET	1	
2	WEY570B6807	WEY570B6807	CHUCK FASTENING SCREW	1	*D•E•F•H
2	WEZ570B6807	WEZ570B6807	CHUCK FASTENING SCREW	1	*G
3	▲WEY6481K7917	▲WEY6481K7917	KEYLESS DRILL CHUCK	1	
4	▲WEY6481H3227	▲WEY6481H3227	CLUTCH HANDLE	1	
5	▲WEY6481L0637	▲WEY6481L0637	ADJUSTING SCREW	1	
6	▲WEY6100L0168	▲WEYT184L0167	SPRING FOR CLUTCH	1	
7	▲WEY6481L0457	▲WEY6481L0457	CLICK PLATE	1	
8	▲WEYT184L0577	▲WEYT184L0577	CLUTCH PLATE	1	
9	WEY560B6967	WEY560B6967	STEEL BALL	12	*B•D•E•F•H
9	WEZ560B6967	WEZ560B6967	STEEL BALL	12	*B *G
10	▲WEY6481L1067	▲WEY6481L1067	DRIVING BLOCK	1	
11	▲WEY6481L0357	▲WEY6481L0357	THRUST PIN SET	2	*B
12	WEY6207B0377	WEY6207B0377	ROLLER PIN	6	*B
13	WEY6207B1117	▲WEY6283L1117	CARRIER	1	
14	WEY560B1457	WEY560B1457	RING GEAR A	1	*D•E•F•H
14	WEZ560B1457	WEZ560B1457	RING GEAR A	1	*G
15	WEY6200B1357	WEY560B1357	PLANET GEAR A	3	*B•D•E•F•H
15	_____	WEZ560B1357	PLANET GEAR A	3	*B *G
16	WEY6200B0857	WEY6200B0857	THRUST PLATE	1	
17	▲WEY6401L1357	▲WEY6481L1357	CARRIER	1	
18	WEY6207B1347	WEY560B1367	PLANET GEAR B SET	3	*B•D•E•F•H
	_____	WEZ560B1367	PLANET GEAR B SET	3	*B *G
19	▲WEY6481L1457	▲WEY6481L1457	RING GEAR A	1	
20	▲WEY6481L1467	▲WEY6481L1467	RING GEAR B	1	
21	▲WEY6401B1107	▲WEY6481L1107	CARRIER A	1	
22	WEY6200B1367	WEY6200B1367	PLANET GEAR B	3	*B
23	▲WEY6481L0887	▲WEY6481L0887	THRUST PLATE	1	
24	▲WEYT184L6077	▲WEYT184L6077	SCREW FOR MOTOR	2	*C
25	▲WEY6100L0028	▲WEY6100L0028	MOTOR MOUNTING PLATE	1	
26	▲WEY6100L1008	▲WEY6181L1008	MOTOR	1	
27	▲WEY6100H3238	▲WEY6100H3238	CHANGE-GEAR HANDLE	1	
28	▲WEY6100Y2008	▲WEY6100Y2008	SWITCH BLOCK	1	
29	WEY6207Y6027	WEY6207Y6027	SCREW	2	*C
30	▲WEY6481L0207	▲WEY6481L0207	DUST PREVENTIVE PLATE	1	
31	▲WEY6481L0177	▲WEY6481L0177	CLICK SPRING	1	
32	▲WEY6481H3247	▲WEY6481H3247	SELECTOR HANDLE	1	
33	▲WEYT184L2567	▲WEYT184L2567	RADIATING PLATE (W/SCREW)	1	
34	▲WEY6100K9068	▲WEY6100K9068	TAPPING SCREW	8	*C
35	▲WEY6100L1458	▲WEY6181L1458	GEAR BOX BLOCK	1	
36	▲EY9006	▲EY9086	BATTERY PACK	1	*A
37	▲EY9101	▲EY9182	BATTERY PACK	1	*A
38	▲EY0001	_____	BATTERY CHARGER	1	*A
39	WEY0001B3099	_____	HOUSING A FOR CHARGER	1	
40	WEY0001B3030	_____	HOUSING B FOR CHARGER	1	

EXPLODED VIEW



REPLACEMENT PARTS LIST

Ref No.	EY6100	EY6181	Parts Name & Descriptions	Per set	Remarks
	Parts No.	Parts No.			
41	WEY0001B2129	_____	MODULE	1	
42	▲WEY0001B2240	_____	POWER TRANSFORMER	1	
43	WEY0001B2058	_____	POWER CORD	1	
44	WEY0001B5279	_____	FUSE	1	
45	WEY562B0218	_____	CORD ANCHOR SET	1	
46	WEY0001B6237	_____	TAPPING SCREW FOR CHARGER	6	*C
47	EY0202	EY0202	BATTERY CHARGER	1	*A
48	WEY0202B3098	WEY0202B3098	HOUSING A FOR CHARGER	1	*F
48	WEY0202B3099	WEY0202B3099	HOUSING A FOR CHARGER	1	*D
48	WEY0202B3101	WEY0202B3101	HOUSING A FOR CHARGER	1	*E
48	WEY0202B3102	WEY0202B3102	HOUSING A FOR CHARGER	1	*G·H
49	WEY0202B3029	WEY0202B3029	HOUSING B FOR CHARGER	1	*E
49	WEY0202B3030	WEY0202B3030	HOUSING B FOR CHARGER	1	*G
49	WEY0202B3031	WEY0202B3031	HOUSING B FOR CHARGER	1	*H
49	WEY0202B3032	WEY0202B3032	HOUSING B FOR CHARGER	1	*F
49	WEY0202B3033	WEY0202B3033	HOUSING B FOR CHARGER	1	*D
50	WEY0200C0547	WEY0200C0547	LAMP COVER	1	
51	WEY0202B2129	WEY0202B2129	MODULE	1	*D
51	WEY0202B2131	WEY0202B2131	MODULE	1	*E·F·G·H
52	WEY0001B2058	WEY0001B2058	POWER CORD	1	*D
52	WEY0202B2060	WEY0202B2060	POWER CORD	1	*G·H
52	WEY0202B2061	WEY0202B2061	POWER CORD	1	*F
52	WEY0202B2063	WEY0202B2063	POWER CORD	1	*E
53	WEY562B0218	WEY562B0218	CORD ANCHORE SET	1	*D·E·H
53	WEZ562B0218	WEZ562B0218	CORD ANCHORE SET	1	*F·G
54	WEY0202B5259	WEY0202B5259	FUSE	1	
55	WEY0202B5029	WEY0202B5029	FUSE & FET SET	1	*D
55	WEY0202B5030	WEY0202B5030	FUSE & FET SET	1	*E·F·G·H
56	WEY0202B5099	WEY0202B5099	ZENER DIODE	1	
57	WEY0202B9038	WEY0202B9038	TAPPING SCREW FOR CHARGER	4	*C
58	_____	▲EY0082	BATTERY CHARGER	1	*A
59	_____	WEY570B3101	HOUSING A FOR CHARGER	1	
60	_____	WEY0082K3028	HOUSING B FOR CHARGER	1	*D·F·H
60	_____	WEY0082K3029	HOUSING B FOR CHARGER	1	*E·G
61	_____	WEY570B2127	MODULE	1	*D·E·F·H
61	_____	WEZ570B2127	MODULE	1	*G
62	_____	WEY570B2238	POWER TRANSFORMER	1	*D·F·H
62	_____	WEY570B2240	POWER TRANSFORMER	1	*E
62	_____	WEZ570B2241	POWER TRANSFORMER	1	*G
63	_____	WEY0001B2058	POWER CORD	1	*D·F
63	_____	WEY0202B2063	POWER CORD	1	*E
63	_____	WEZ570B2059	POWER CORD	1	*G·H
64	_____	WEY562B0218	CORD ANCHORE SET	1	*D·E·F·H
64	_____	WEZ562B0218	CORD ANCHORE SET	1	*G
65	_____	WEY0080B5278	FUSE	1	*D·E·F·F
65	_____	WEZ570B5278	FUSE	1	*G
66	_____	WEY0001B6237	TAPPING SCREW FOR CHARGER	6	*C
67	WEY570B0347	WEY570B0347	LOCK RELEASE ROD	1	*D·E·F·H
67	WEZ570B0347	WEZ570B0347	LOCK RELEASE ROD	1	*G
-	▲WEY9592H7018	▲WEY9592H7018	TOOL CASE	1	
-	▲WEY6100K8108	▲WEY6100K8108	OPERATING INSTRUCTIONS	1	*D·E·G·H
-	▲WEY6100K8109	▲WEY6100K8109	OPERATING INSTRUCTIONS	1	*F
-	WEY6808K8238	WEY6808K8238	SAFETY INSTRUCTIONS	1	